

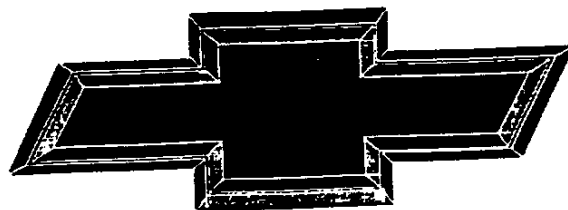
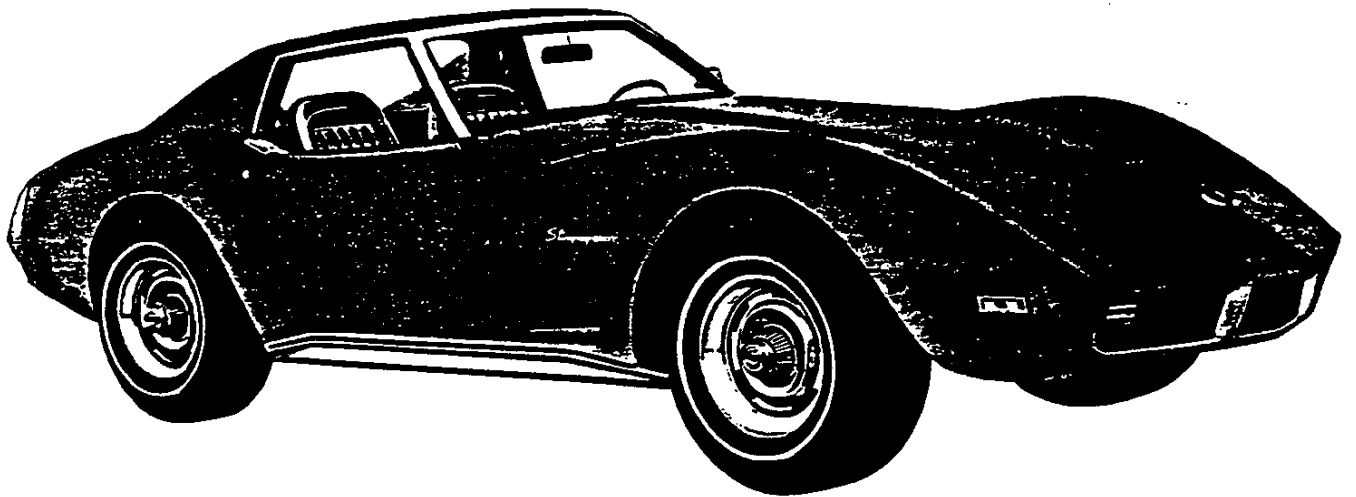




1973

CORVETTE

SPECIFICATIONS



GENUINE CHEVROLET™



General Motors 1973 VIN System

Passenger Car

General Motors 1973 Passenger V.I.N. System

EXAMPLE V.I.N.
1 N 6 9 R 3 S 1 1 0 0 0 0 1

DIGIT NO. 1 2 3 4 5 6 7 8 9 10 11 12 13

TRUCK V.I.N. DATA ON REVERSE SIDE

GM SERVICE

1 DIVISION CODE
 1—Chevrolet
 2—Pontiac
 3—Oldsmobile
 4—Buick
 5—GMC Truck
 6—Cadillac
 7—GM of Canada

2 SERIES
CHEVROLET
 C—Chevelle
 E—Camaro
 D—Malibu
 T—Chevrolet Custom
 L—Laguna
 M—Malibu Wagon
 N—Laguna Est. Wagon
 Monte Carlo
 J—Biscayne
 K—Bel Air
 I—Impala
 W—Caprice Classic
 B—Camaro
 S—Camaro Type LT
 V—Vega
 X—Nova
 Y—Nova Custom
 Z—Corvette

PONTIAC
 D—LeMans
 F—LeMans Sport Coupe
 E—Lux LeMans
 N—Grand Am
 K—Grand Prix
 L—Laurelton
 I—Catalina
 P—Parisienne
 M—Bonneville
 P—Grand Ville
 T—Firebird Std
 S—Firebird Sport
 U—Firebird Form.
 V—Firebird Trans Am.
 Y—Ventura
 Z—Ventura Custom

3 BUICK SERIES
 D—Century
 F—Century Wagon
 N—Century Luxus
 J—Regal
 K—Century Luxus-Wagon
 L—Le Sabre
 M—Le Sabre Custom
 P—Centurion
 R—Estate Wagon
 T—Electra 225
 V—Electra 225 Cust.
 Y—Riviera

4 CADILLAC
 B—Fleetwood Brougham
 C—Calais
 D—Deville
 F—Fleetwood 75
 L—Eldorado
 Z—Short Sill

5 ENGINE CODE
 C.I.D. H.P. C.R. EX. DIVISION

A	140	72	1	B	S	1
B	140	85	2	B	S	1
D	250	100	1	B	S	1,2,3,4,5
F	307	115	2	B	S	1,2,5
M	350	145	2	B	S	1,2,5,7
N	350	150	2	B	S	4
P	350	160	2	B	S	3
J	350	175	4	B	S	4
K	350	190	4	B	S	1
R	350	175	4	B	S	1,2,7
S	350	180	4	B	S	3
T	350	190	4	B	S	4
M	350	150	2	B	S	2
N	350	200	4	B	S	3
P	350	175	2	B	S	2
R	400	185	2	B	S	2,7
S	400	150	2	B	S	1
T	400	170	2	B	S	2,7
U	472	220	4	B	S	6
V	400	200	4	B	S	2,7
Y	350	245	4	B	S	1
Z	400	230	4	B	S	2,7
A	455	225	4	B	S	3,4
B	455	250	4	B	S	3,4
C	455	270	4	B	S	3
D	455	215	4	B	S	2,7
E	455	250	4	B	S	3
F	455	270	4	B	S	4
G	455	310	4	B	S	2
H	454	215	4	B	S	1
I	455	250	4	B	S	2
J	454	245	4	B	S	1
K	455	250	4	B	S	2,7
L	454	275	4	B	S	1

6 BODY TYPE
 05—Panel-2 Door
 11—Sedan-2 Door-Pillar
 15—Sta. Wagon-2 Door-2 Seat
 17—Coupe-2 Door-Hatchback
 23—Sedan-4 Door-Asa. Seat
 27—Coupe-2 Door-Pillar
 28—Sedan-4 Door-Pillar
 33—Sed.-4 Dr. Aux. Seat-Ctr. Pt.
 35—Sta. Wagon-4 Door-2 Seat
 37—Coupe-2 Door-Hardtop
 38—Sedan-4 Door-Hardtop
 40—Short Sill Cowl
 45—Sta. Wagon-4 Door-3 Seat
 47—Coupe-2 Door-Hardtop
 48—Sedan-4 Dr. Hardtop-Notch Back
 50—Short Sill Cowl
 57—Coupe-2 Door-Hardtop
 68—Sta. Wagon-4 Dr. 3 Seat 2 Way TailGate
 67—Coupe-2 Door-Convertible
 69—Sedan-4 Door-Pillar
 77—Coupe-2 Door-Pillar
 80—Sedan-Pick Up-2 Door-2 Way TailGate
 87—Coupe-2 Door-Hardtop
 90—Short Sill Cowl

7 PLANT CODE

A—Lansford	CA	F—Plant (Chev)	MI	N—Norwood	OH	W—Pontiac (GMC)	MI
B—Baltimore	MD	G—Framingham	MA	P—Pontiac (Pont)	MI	X—Wolver Run	MI
C—Southgate	CA	H—Fint (Buick)	MI	Q—Detroit	MI	Y—Fairfax	KS
D—Dearborn	GA	J—Janesville	WI	R—Arlington	TX	Z—Wilmington	DE
E—Linden	NJ	K—Leeds	MO	S—St. Louis	MO	1—Fremont	CA
		L—Van Nuys	CA	T—Tarrytown	NY	2—Oshawa, Ont.	
		M—Lansing	MI	U—Lordstown	OH	3—Ste. Therese, Que.	

Light Truck

1973 LIGHT DUTY TRUCK V.I.N. DATA

EXAMPLE V.I.N.
2 T C E 6 3 3 1 1 0 0 0 0 1

DIGIT NO. 1 2 3 4 5 6 7 8 9 10 11 12 13

2 CAB CHASSIS TYPE
 C—96" OR 106" CONVENTIONAL CAB*
 E—CHEVY VAN AND SPORT VAN
 V—VANDURA AND RALLY WAGON
 W—106" CONVENTIONAL CAB 4 x 4*
 P—FORWARD CONTROL
 *INCLUDING BLAZER, JIMMY AND SUBURBAN

3 ENGINE CODE
 C.I.D. H.P. C.R.B.
 N 110 75 2 BBL
 B 250 100 1 BBL
 T 292 130 1 BBL
 X 307 115 2 BBL
 Y 350 155 4 BBL
 Z 454 240 4 BBL
 250**
 **P30-35 only.

4 SERIES
 1—1/2 TON
 2—3/4 TON
 3—1 TON

5 BODY TYPE
 2—CHASSIS COWL
 3—CHASSIS CAB
 4—CAB & PICK-UP BOX
 5—VAN & PANEL
 6—SPORT VAN, RALLY WAGON, & SUBURBAN
 7—MOTOR HOME CHASSIS
 8—BLAZER, JIMMY UTILITY

7 PLANT CODE
 A—Lansford GA F—Flint (Chev) MI S—St. Louis MO Y—Pontiac (GMC) MI
 B—Baltimore MD L—Janesville WI U—Lordstown OH 1—Oshawa, Ont.

General Motors Trucks V.I.N. System

EXAMPLE V.I.N.
T C E 6 3 3 1 1 0 0 0 0 1

DIGIT NO. 1 2 3 4 5 6 7 8 9 10 11 12 13

1 DIVISION CODE
 C—CHEVROLET
 T—GMC

2 CAB CHASSIS TYPE
 C—CHEVROLET
 T—GMC

3 ENGINE CODE
 C—CHEVROLET 70—90 SERIES
 3—CHEVROLET 50 SERIES THROUGH 60 SERIES
 CANADIAN BUILT GMC SCHOOL BUS
 A—GMC D692, D892, D192, D192, F692, F892, F192, F892, H890, J890
 B—GMC H890, H190, H473, J890, J190, J173, M890, T890, TV73
 G—CHEVROLET 70—90 SERIES
 T—GMC 50 THROUGH 60 SERIES EXCEPT CANADIAN BUILT GMC
 HM73, JM73, JVB3, RM72, TM73, WM73
 W—GMC D892, F892, J890, M890, MC90, TW90, WW90
 Y—GMC D992, NC90, H990, JC90, H990
 Z—HM88

4 SERIES
 7—2 1/2 TON
 5—1 1/2 TON
 8—3 TON
 6—2 TON
 9—3 1/2 TON

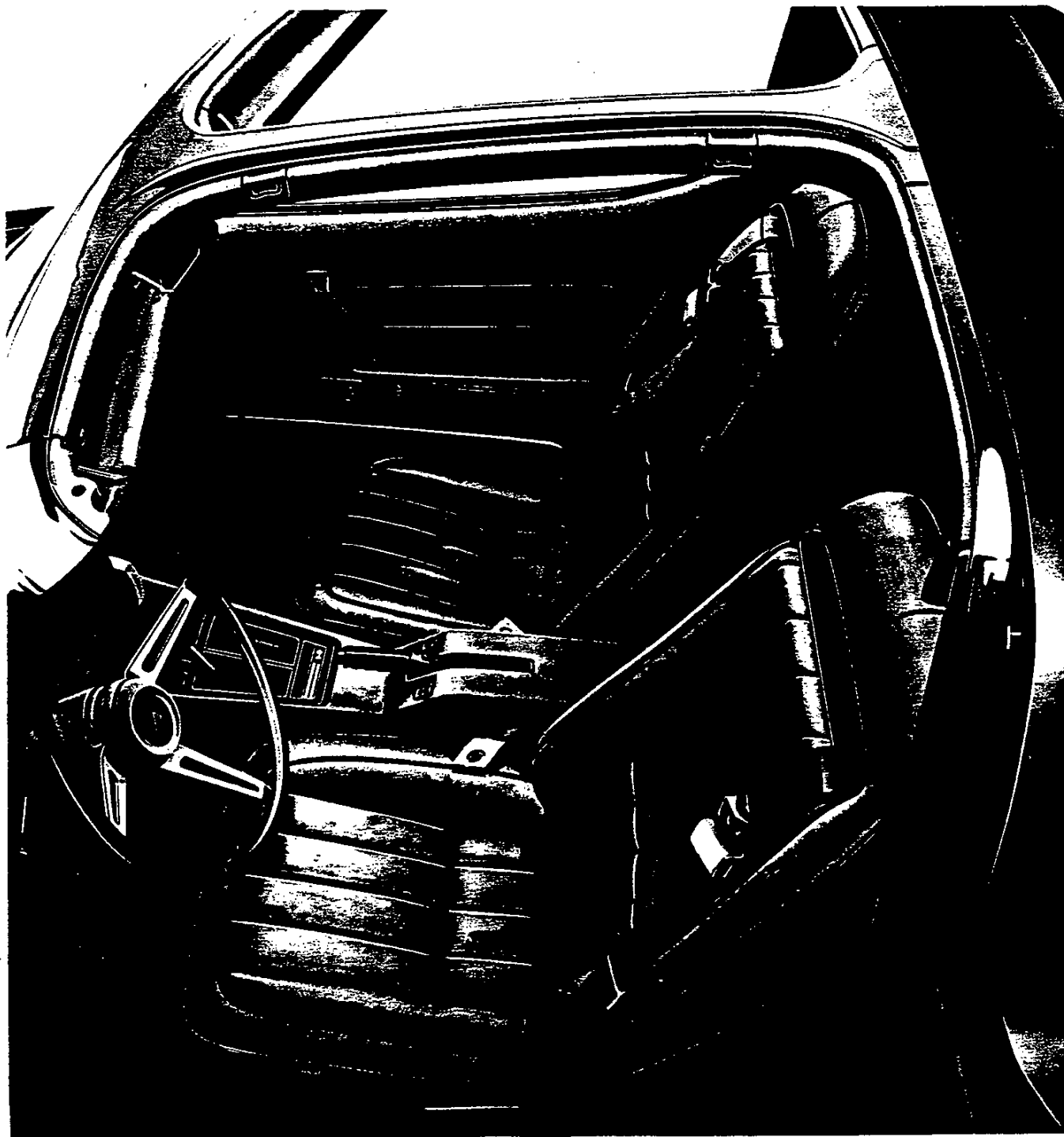
5 BODY TYPE
 2—CHASSIS COWL
 3—CHASSIS CAB
 *DIGITS 4 & 5 WILL BE USED AS A SERIES DESIGNATOR FOR 80 SERIES VEHICLES.

6 MODEL YEAR DESIGNATOR
 G—CHEVROLET 70—90 SERIES
 T—GMC 50 THROUGH 60 SERIES EXCEPT CANADIAN BUILT GMC
 HM73, JM73, JVB3, RM72, TM73, WM73
 W—GMC D892, F892, J890, M890, MC90, TW90, WW90
 Y—GMC D992, NC90, H990, JC90, H990
 Z—HM88

General Motors of Canada Ltd. Product Service Dept. (1973) in CANADA (Rev. 1/73)

Corvette Custom Interior

Available at extra cost. Includes: genuine leather seat panels; plush cut-pile carpeting; special door trim with carpeted lower panels; rich wood-grain on doors and center console.



1973 CORVETTE

Production: 25,521 coupe, 4,943 convertible, 30,464 total.

1973 NUMBERS

Vehicle: 1Z37J3S400001 through 1Z37J3S434464

- For convertibles, third digit is a 6.
- Fifth digit varies as follows: J=350ci, 190hp; T=350ci, 250hp; Z=454ci, 275hp.

Suffix: CKZ: 350ci, 190hp, mt CLR: 350ci, 250hp, mt
CLA: 350ci, 190hp, at CLS: 350ci, 250hp, mt, ce
CLB: 350ci, 190hp, mt, ce CWM: 454ci, 275hp, mt
CLC: 350ci, 190hp, at, ce CWR: 454ci, 275hp, at
CLD: 350ci, 250hp, at CWS: 454ci, 275hp, at, ce
CLH: 350ci, 250hp, at, ce CWT: 454ci, 275hp, mt, ce

Block: 3970010: 350ci, 190hp, 250hp 3999289: 454ci, 275hp

Head: 353049: 454ci, 275hp 330545: 350ci, 250hp
3998993: 350ci, 190hp

Carburetor: Rochester Q-jet #7043200: 454ci, 275hp, at
Rochester Q-jet #7043201: 454ci, 275hp, mt
Rochester Q-jet #7043202: 350ci, 190hp, at
Rochester Q-jet #7043203: 350ci, 190hp, mt
Rochester Q-jet #7043212: 350ci, 250hp, at
Rochester Q-jet #7043213: 350ci, 250hp, mt

- For California applications, fifth digit in carburetor part number is a 5.

Distributor: 1112098: 350ci, 190hp 1112130: 350ci, 250hp
1112114: 454ci, 275hp 1112150: 350ci, 250hp

Alternator: 1100544: 350ci, 454ci, ac 1102353: 454ci
1100950: 350ci

Ending Vehicle: Aug 72: 01138 Dec 72: 10679 Apr 73: 21933
Sep 72: 03539 Jan 73: 13600 May 73: 28892
Oct 72: 06054 Feb 73: 16301 Jun 73: 31731
Nov 72: 08696 Mar 73: 19253 Jul 73: 34464

- During May, 4,000 vehicle identification numbers were not used.

Abbreviations: ac=air conditioning, at=automatic transmission, ce=california emissions, ci=cubic inch, hp=horsepower, mt=manual transmission.

1973 FACTS

- In the 1973 model year, 4,000 serial numbers were never built. The last 1973 Corvette's serial number ends with 34,464, but production totaled 30,464. The unused VIN numbers were 24,001 through 28,000.
- Rear 1973 bumpers were essentially unchanged from 1972, but fronts were redesigned to meet federal 5-mph standards. The front body-color bumper system added thirty-five pounds of weight and could withstand 5-mph impacts without damage to lights or safety equipment.
- A new coolant recovery system routed high temperature overflow coolant into a holding reservoir for return to the radiator after cooling.
- Material was sprayed on several inner panels for sound deadening, and a new sound-absorbing pad was installed on the inner-hood surface.
- New chassis mounts were used in 1973 to better isolate road chatter and vibration. The mounts are rubber with steel sleeves. The rubber provides vertical cushioning while the steel maintains stability.
- The lifting windshield wiper panel was deleted from 1973 models, but a new hood with rear cold air induction was introduced.
- Doors have interior beams for improved side impact protection.
- Radial tires were first used with Corvettes in 1973.
- Rear windows weren't removable in 1973, but luggage space height increased two inches due to removal of the window storage shelf.

Major Features—Standard on 1973 Corvettes

- Stronger front bumper with special mounting
- Power-operated retractable dual headlights
- High-rise fenders with functional air vents
- Tinted glass in all windows
- Recessed outside door handles
- Full door-glass styling
- Wheel trim rings and center caps
- Flow-through ventilation system
- Tapered high-back bucket seats with integral head restraints
- Special sport-styled steering wheel
- Tachometer, ammeter, oil pressure, fuel and temperature gauges
- Separate trip odometer
- Warning lights for seat belt and door ajar
- Console-mounted parking brake control
- Deep twist floor carpeting
- All-vinyl interior trim
- Unitized seat and shoulder belt buckle design
- Rear compartment stowage wells
- Efficient valve-in-head design
- Evaporation control system
- Full dual exhaust system
- 4-Speed fully synchronized transmission
- Positraction rear axle
- High-dome hood with carburetor air induction
- Advanced accessory drive system
- High-output Delcotron generator
- Sealed side-terminal Energizer battery
- Positive-shift starter
- Automatic choke
- Built-in blended-air heater and defroster system
- Side-guard door beams
- Curved side windows
- Dual-speed electric windshield wipers
- Front lower air spoiler
- Rear deck air spoiler
- Separate spare tire stowage with key lock
- Steel-reinforced fiberglass body
- Built-in anti-theft audio alarm system
- Magic-Mirror acrylic lacquer finish
- Full independent suspension system
- Self-adjusting disc brakes at all four wheels
- GR70-15 steel-belted radial ply blackwall tires
- Wide 15" x 8" wheels

Safety and Security Features

Occupant Protection Features

- Single buckle seat belts and shoulder belts (except Convertible) with pushbutton buckles and retractors for driver and passenger with reminder light and buzzer
- Built-in head restraints
- Energy-absorbing steering column
- Passenger-guard door locks
- Safety door latches and hinges
- Folding seat back latches
- Energy-absorbing padded instrument panel
- Contoured windshield header (except Convertible)
- Thick-laminate windshield
- Padded sun visors
- Safety armrests
- Safety steering wheel
- Side-guard beams
- Fuel tank impact security
- Glove compartment and console door latch impact security
- Smooth-contoured door and window regulator handles

- Soft, low-profile window control knobs, coat hooks, dome light
- Pressure lock radiator cap
- High-strength seat anchorages and construction
- Stamped steel door hinges

Accident Prevention Features

- Side marker lights and reflectors (front side marker lights flash with directional signal)
- Parking lights that illuminate with headlights
- Four-way hazard warning flasher
- Back-up lights
- Lane-change feature in direction signal control
- Windshield defroster, washers and dual-speed wipers
- Wide-view inside day-night mirror (vinyl-edged, shatter-resistant glass and deflecting support)
- Outside rearview mirror
- Dual master cylinder brake system with warning light

- Starter safety switch
- Improved bumper system
- Headlight aiming access provision
- Low-glare instrument panel top, inside windshield moldings, wiper arms and blades, and steering wheel metallic surfaces
- Safety wheel rims
- Uniform shift quadrant
- No winged wheel nuts, covers or caps
- Self-adjusting brakes
- Illumination of windshield wiper and washer, heater and defroster controls

Anti-Theft Features

- Anti-theft ignition key warning buzzer
- Anti-theft steering column lock
- Multiple key combinations
- Visible vehicle identification
- Tamper-resistant odometer with telltale feature
- Anti-theft audio alarm

The Corvette Black Book

1953-1993

October 1992

Published by

Michael Bruce Associates, Inc.
 Michael Antonick, President
 Post Office Box 396
 Powell, Ohio 43065



CONTENTS	
Glossary	4
Instructions	5
Statistics	12
Chronology	14
1953 Corvette	20
1954 Corvette	22
1955 Corvette	24
1956 Corvette	26
1957 Corvette	28
1958 Corvette	30
1959 Corvette	32
1960 Corvette	34
1961 Corvette	36
1962 Corvette	38
1963 Corvette	40
1964 Corvette	42
1981 Corvette	76
1982 Corvette	78
1984 Corvette	80
1985 Corvette	82
1986 Corvette	84
1987 Corvette	86
1988 Corvette	88
1971 Corvette	56
1972 Corvette	58
1973 Corvette	60
1974 Corvette	62
1975 Corvette	64
1976 Corvette	66
1977 Corvette	68
1978 Corvette	70
1979 Corvette	72
1980 Corvette	74
1989 Corvette	90
1991 Corvette	94
1992 Corvette	96
1993 Corvette	98
Notes	100
Photos/Specs	104
Literature	124
Coupons	127

© Michael Bruce Associates, Inc., 1978, 1980, 1983, 1985, 1988, 1989, 1991, 1992. All rights reserved under Pan American and Universal Copyright Conventions by Michael Bruce Associates, Inc. Reproduction without permission is prohibited. Because of the possibility of errors, exceptions, or other reasons for inaccuracy, the publisher and author disclaim responsibility for the accuracy of any or all information presented in this publication.

Michael Bruce Associates, Inc. acknowledges with appreciation the following enthusiasts who contributed their expertise to this and previous editions of the Corvette Black Book: Roland Adams, Dan Aldridge, John Angwert, Pat Baker, Jane Barthelme, Michele Boling, Ken Brooks, Gary Brown, David Burroughs, Steve Dangremond, Dr. M. F. Dobbs, Bob Eckler, the late Sam Foltz, John Hibbert, Mike Hunt, Alan Kaplan, Paul Kitchen, Gary Korner, Ralph Krumer and staff, Jim Krugloff, Gary Lisk, Bill Locke, Bob Logewski, Bob McDorman, Chip Miller, Bill Mock, Brian Pearson, John Poloney, Bill Rhodes, Jeffrey Smith, Mark & Dixie Smith, Lou Visalle, Jerry Wedsworth, Jerry Watchers and Don Williams. Thanks also to Caltey Engineering, to Mercury-Marine, and to the Chevrolet Motor Division of General Motors Corporation.

Notice: The Corvette Black Book and its publisher, Michael Bruce Associates, Inc. have no relationship or connection whatever with Hearst Business Media Corporation, its parent or affiliated corporations, or the Black Book published by National Auto Research Division of Hearst Business Media Corporation.

Michael Bruce Associates, Inc. and the Corvette Black Book are not associated with or sponsored by General Motors or its Chevrolet Motor Division. Cover: Photo and design by Mike Antonick. 1963 Corvette owned by Bill Munzer; restored by Bill Munzer and Don Williams. Printed and bound in the United States of America.

ISBN: 0-933534-35-3

BOOK TRADE DISTRIBUTION BY:
 McGraw-Hill
 1221 Avenue of the Americas
 New York, New York 10020, USA

BLACK BOOK ORDER FORM

Send _____ copies of the

Corvette Black Book 1953-1993

@ \$11.95 each \$ _____

Ohio residents add .72 sales tax _____

Postage/hard shipping container _____ 3.00

Check or money order enclosed \$ _____

Name _____

Street _____

City _____

State _____

Zip _____

Mail Order To: Michael Bruce Associates, Inc.

Post Office Box 396

Powell, Ohio 43065

BLACK BOOK ORDER FORM

Send _____ copies of the

Corvette Black Book 1953-1993

@ \$11.95 each \$ _____

Ohio residents add .72 sales tax _____

Postage/hard shipping container _____ 3.00

Check or money order enclosed \$ _____

Name _____

Street _____

City _____

State _____

Zip _____

Mail Order To: Michael Bruce Associates, Inc.

Post Office Box 396

Powell, Ohio 43065

Corvette Power Teams

Engines	Ordering Code	Axle ratios	4-Speed Manual		Turbo Hydra-matic
			Standard	RPO M21	RPO M40
Turbo-Fire 350-4	L48	--Standard Axle Ratio	3.36*	--	3.08*
		--Economy Ratio (RPO ZQ8)	3.08†	--	--
		--Performance Ratio (RPO ZQ9)	--	--	3.36
Turbo-Fire Special 350-4	L82	--Standard Axle Ratio	3.55†	3.70	3.55*
		--Economy ratio (RPO ZQ8)	3.36*	3.55*	3.36
		--Performance ratio (RPO ZQ9)	3.70	--	3.70
Turbo-Jet 454-4	LS4	--Standard axle ratio	3.08*	3.36*	3.08*
		--Economy ratio (RPO ZQ8)	--	3.08	--
		--Performance ratio (RPO ZQ9)	3.36†	3.55†	3.36

Note: All axles are limited slip.

*Standard ratio furnished when air conditioning is ordered.

†Optional ratio available when air conditioning is ordered.

Engine Specifications

Engine	Turbo-Fire 350-4	Turbo-Fire Special 350-4	Turbo-Jet 454-4
Type	V8	V8	V8
Displacement (cu. in.)	350	350	454
Bore x Stroke (in.)	4.00 x 3.48	4.00 x 3.48	4.25 x 4.00
HP @ RPM	190 @ 4400	250 @ 5200	275 @ 4400
Torque @ RPM	270 @ 2800	285 @ 4000	395 @ 2800
Compression ratio	8.5:1	9.0:1	8.25:1
Carburetion	4-barrel	4-barrel	4-barrel
Exhaust system	dual	dual	dual

Note: Horsepower and Torque ratings are SAE net as installed.

Transmissions

	Engines	Transmission gear ratios (:1)					Shift selector
		1	2	3	4	R	Console
4-Speed Fully Synchronized (Standard)	All	2.52	1.88	1.46	1.00	2.59	X
4-Speed Fully Synchronized (RPO M21)	L82 and LS4	2.20	1.64	1.27	1.00	2.26	X
Turbo Hydra-matic (RPO M40)	All	Drive (max.)—5.21:1 to 1:1 Low 2—5.21:1 to 1.48:1 Low 1—5.21:1 to 2.48:1 Reverse—4.37:1 to 2.08:1					X

Clutch Details

All Engines	
Clutch type	Semi-centrifugal bent-finger-design diaphragm spring with single dry disc—pearlitic or nodular iron pressure plate
Disc Facing Material	Premium grade woven asbestos
Disc Facing Outside Diameter (in.)	11.00
Disc Facing Total Area (sq. in.)	123.70
Spring Effective Plate Load (lbs.)	2450-2750

SECTION 0

GENERAL INFORMATION AND LUBRICATION

CONTENTS OF THIS SECTION

General Information 0-1
 Lubrication 0-11

GENERAL INFORMATION

Model Identification	0-1	Number Locations	0-4
Vehicle Dimensions (Except Corvette)	0-2	Vehicle Identification Number	0-4
Corvette Vehicle Dimensions	0-3	Keys and Locks	0-5
Unit and Serial Numbers	0-3	Pushing to Start Engine	0-5
Engine and Transmission Number (V.I.N.)	0-3	Towing Vehicles	0-5
		Lifting Vehicles	0-5

MODEL IDENTIFICATION

Car Line	Series Name	Body Style	Model Designation	Pass. or Seats
CHEVROLET	BEL AIR	4-Dr. Sedan	1BK69	6
		4-Dr. Station Wagon	1BK35	2-Seat
		4-Dr. Station Wagon	1BK45	3-Seat
	IMPALA	4-Dr. Sedan	1BL69	6
		4-Dr. Sport Sedan	1BL39	6
		2-Dr. Sport Coupe	1BL57	6
		2-Dr. Custom Coupe	1BL47	6
		4-Dr. Station Wagon	1BL35	2-Seat
		4-Dr. Station Wagon	1BL45	3-Seat
		4-Dr. Sedan	1BN69	6
	CAPRICE CLASSIC	2-Dr. Sport Coupe	1BN47	6
		2-Dr. Convertible	1BN67	6
		4-Dr. Sport Sedan	1BN39	6
	CAPRICE ESTATE	4-Dr. Station Wagon	1BN35	2-Seat
4-Dr. Station Wagon		1BN45	3-Seat	
4-Dr. Sport Sedan		1AC29	6	
CHEVELLE	DELUXE	2-Dr. Sport Coupe	1AC37	6
		4-Dr. Station Wagon	1AC35	2-Seat*
		4-Dr. Sport Sedan	1AD29	6
	MALIBU	2-Dr. Sport Coupe	1AD37	6
		4-Dr. Station Wagon	1AD35	2-Seat*
	MALIBU ESTATE	4-Dr. Station Wagon	1AG35	2-Seat*
	LAGUNA	4-Dr. Sport Sedan	1AE29	6
		2-Dr. Sport Coupe	1AE37	6
	LAGUNA ESTATE	4-Dr. Station Wagon	1AH35	2-Seat*
	EL CAMINO	2-Dr. Pickup Delivery	1AC80	3
EL CAMINO CUSTOM	2-Dr. Pickup Delivery	1AD80	3	
MONTE CARLO	—	2-Dr. Sport Coupe	1AH57	6
NOVA	—	4-Dr. Sedan	1XX69	6
		2-Dr. Coupe	1XX27	6
		2-Dr. Hatchback Coupe	1XX17	6
	NOVA CUSTOM	4-Dr. Sedan	1XY69	6
		2-Dr. Coupe	1XY27	6
CAMARO	—	2-Dr. Sport Coupe	1FQ87	4
	CAMARO TYPE LT	2-Dr. Sport Coupe	1FS87	4
CORVETTE	—	2-Dr. Sport Coupe	1YZ37	2
		2-Dr. Convertible	1YZ67	2

*Third seat available as RPO on V-8 equipped station wagons.

Corvette Color & Trim

Interior Trim	Black		Blue (Midnight)	Red (Dark)	Saddle (Dark)	Saddle (Medium)		
	Vinyl	Custom Interior Leather	Vinyl	Vinyl	Vinyl	Custom Interior Leather	Vinyl	Custom Interior Leather
Coupe or Convertible bucket seat	400	404	413	425	418	422	415	416

Exterior Colors

	Code					
Blue, Medium (Metallic)	22	X	X			X
Blue, Dark (Metallic)	27	X	X	X		X
Blue-Green (Metallic)	45	X		X	X	X
Green, Elkhart (Metallic)	47	X				X
Orange (Metallic)	80	X	X		X	X
Red, Mille Miglia	76	X	X	X	X	X
Silver (Metallic)	14	X	X	X	X	X
White, Classic	10	X	X	X	X	X
Yellow	52	X	X		X	
Yellow (Metallic)	53	X	X			

Vinyl Roof Cover — RPO CO8 (with auxiliary hardtop only)

Vinyl roof color	Code	Exterior color availability
Black	BB	all exterior colors

CONVERTIBLE TOP COLORS: Choice of white (AA) or black (BB) top available with all exterior colors.

VEHICLE DIMENSIONS—CORVETTE

Model	Convertible	Sport Coupe
Length Overall	184.6"	
Width Overall (Body) . . .	69.2"	
Height Overall	47.9"	47.8"
Wheelbase	98.0"	
Tread-Front	58.3"	
Tread-Rear	59.0"	
Curb Weight: 3411 lbs. Convertible 3404 lbs. Sport Coupe with Base V-8		

The prefixes on certain units identify the plant in which the unit was manufactured, and thereby permits proper follow-up of the plant involved to get corrections made when necessary.

ENGINE AND TRANSMISSION NUMBER

The Vehicle Identification Number is stamped on the engine and transmission of each vehicle (see chart for location).

At multi-car plants where more than one Chevrolet series is produced, the VIN sequence numbers will be staggered to eliminate duplication of component identification numbers.

SERIAL NUMBERS

For the convenience of servicemen when writing up certain business papers, such as Warranty Claims Product Information Reports, or reporting product failures in any way, we are showing on a chart, the location of various unit numbers. These unit numbers and their prefixes and suffixes are necessary on these papers for various reasons—such as accounting, follow-up on production, etc.

Example:

Los Angeles	VIN Sequence
1B000 Models (First Vehicle)	<u>000001</u>
1A000 Models (First Vehicle)	<u>100001</u>

Manufacturer Identity	Body Code Letter	Series Code Letter	Body Style	Model Year	Assembly Plant	Unit Number
①	②	③	④	⑤	⑥	⑦
1	B	M	47	3	F	100025

1. Manufacturer's identity number assigned to all Chevrolet built vehicles.
2. Body (see Model Identification in this section).
3. (see Table 1).
4. Body Style (see Model Identification in this section).
5. Last number of model year (1973)
6. F — Flint
7. Unit numbering will start at 000001 or 100001 depending on the vehicle.

Page 1 **AMA Specifications Form—Passenger Car** Page

MAKE OF CAR CORVETTE MODEL YEAR 1973 DATE ISSUED 9/72 REVISED (a)

BODY MODEL	Body Series, Type and Number. (Use mfg'r's. code for identification)	Number of Passengers (Indicate Front/Rear)
<u>CORVETTE</u>	<u>Model Numbers</u>	<u>Front</u>
2-Door Sport Coupe	1YZ37	2
2-Door Convertible	1YZ67	2

KEYS AND LOCKS

Four keys (two rectangular head and two oval head) are provided with each vehicle. The rectangular head key operates the ignition switch and front door locks. The oval-head key operates the locks for the glove box and rear compartment lid (spare tire compartment lid lock and arms the anti-theft alarm on Corvette).

PUSHING, TO START ENGINE

CAUTION: Towing car to start is not recommended due to the possibility of the disabled car accelerating into tow car.

AUTOMATIC TRANSMISSION

Do not attempt to start the engine by pushing the car. Should the battery become discharged, it will be necessary to use an auxiliary battery with jumper cables to start the engine.

Jump Starting with Auxiliary (Booster) Battery

Both booster and discharged battery should be treated carefully when using jumper cables. Follow exactly the procedure outlined below, being careful not to cause sparks:

1. Set parking brake and place automatic transmission in "PARK" (neutral for manual transmission). Turn off lights, heater and other electrical loads.
2. Remove vent caps from both the booster and the discharged batteries. Lay a cloth over the open vent wells of each battery. These two actions help reduce the explosion hazard always present in either battery when connecting "live" booster batteries to "dead" batteries.
3. Attach one end of one jumper cable to the positive terminal of the booster battery (identified by a red color, "+" or "P" on the battery case, post or clamp) and the other end of same cable to positive terminal of discharged battery. Do NOT permit cars to touch each other, as this could establish a ground connection and counteract the benefits of this procedure.
4. Attach one end of the remaining negative(-) cable to the negative terminal (black color, "-" or "N") of the booster battery, and the other end to the engine lift bracket on 6 cylinder models and the delcotron mounting bracket for V-8 models of your 1973 Chevrolet product being started (do not connect directly to negative post of dead battery)—taking care that clamps from one cable do not inadvertently touch the clamps on the other cable. Do not lean over the battery when making this connection.

Reverse this sequence exactly when removing the jumper cables. Reinstall vent caps and throw cloths away as the cloths may have corrosive acid on them.

CAUTION: Any procedure other than the above could result in: (1) personal injury caused by electrolyte squirting out of the battery vents, (2) personal injury or property damage due to battery explosion, (3) damage to the charging system of the booster vehicle or of the immobilized vehicle.

MANUAL TRANSMISSION

When a push start is necessary turn off all electrical loads such as heaters, radio, and if possible, lights, turn on the key, depress the clutch, and place the shift lever in high gear. Release the clutch when your speed reaches 10 to 15 miles per hour.

TOWING VEHICLES

The car may be towed safely on its rear wheels with the selector lever in "N" (Neutral) position at speeds of 35 miles per hour or less under most conditions.

However, the drive shaft must be disconnected or the car towed on its front wheels if 1) Tow speeds in excess of 35 MPH are necessary, 2) Car must be towed for extended distances (over 50 miles) or, 3) Transmission is not operating properly. If car is towed on its front wheels, the steering wheel should be secured to maintain a straight ahead position.

LIFTING VEHICLES

Many dealer service facilities and service stations are now equipped with a type of automotive hoist which must bear upon some part of the frame in order to lift the vehicle. In Figures 1 through 5 the shaded areas indicate areas recommended for hoist contact.

NOTE: The vehicle should never be lifted by the rear lower control arms.

LIFTING THE CORVETTE

Shaded areas in Figure 5 indicate recommended points for hoist or jack contact. When using a single post hoist place hoist on frame side rail behind kickup at front and forward of #3 body mount at rear. When using a twin-post hoist, two methods are recommended.

- a. If no rear axle or suspension work is contemplated, use either suspension adapters or drive-on adapters at the front, and drive-in adapters at the rear. If a need for axle work develops, use jack stands beneath the frame side rails on each side and lower rear post.
- b. If rear axle work is contemplated, use either suspension adapters or drive-on adapters at the front and frame lift adapters as shown in Figure 6. If frame lift adapters are not available, use jack stands.

NOTE: Wooden blocks, bolted to steel beam shown in Figure 6 are necessary to allow beam to clear exhaust system.



LUBRICATION

INDEX

Engine.....	0-11	Transmission.....	0-11
Crankcase Capacities.....	0-11	3 and 4-Speed.....	0-11
Lubrication.....	0-11	Control Linkage.....	0-11
Engine Oil and Filter Recommendations.....	0-11	Clutch Cross Shaft.....	0-11
Checking Oil Level.....	0-12	Automatic Transmissions.....	0-11
Supplemental Engine Oil Additives.....	0-12	Chassis.....	0-11
Types of Oil.....	0-12	Chassis Lubrication.....	0-11
Positive Crankcase Ventilation (P.C.V.) Valve....	0-12	Front Wheel Bearings.....	0-11
Air Injection Reactor (A.I.R.).....	0-13	Brake Master Cylinder.....	0-11
Controlled Combustion System (C.C.S.).....	0-13	Parking Brake.....	0-11
GM Evaporation Control System (E.C.S.).....	0-13	Steering Gear.....	0-11
Manifold Heat Control Valve.....	0-13	Power Steering System.....	0-11
Air Cleaner.....	0-13	Electrical.....	0-11
Oil Wetted Paper Element Type.....	0-13	Battery Care (Energizer).....	0-11
Fuel Filter.....	0-13	Hood Latches.....	0-11
Distributor Cam Lubricator.....	0-13	Air Conditioning.....	0-11
Rear Axle.....	0-13	Body Lubrication.....	0-11
		Body Lubrication Points (Corvette).....	0-11

The time or mileage intervals on the following pages are intended as a general guide for establishing regular maintenance and lubrication periods for your Chevrolet

built vehicle. Sustained heavy duty or high speed operations or operation under adverse conditions may necessitate more frequent servicing.

ENGINE

CRANKCASE CAPACITY

- 6 Cylinder.... 4 qt. (US meas.) 3.25 qt. Imperial meas.
- 8 Cylinder (307).... 4 qt. (US meas.) 3.25 qt. Imperial meas.
- 8 Cylinder (350).... 4 qt. (US meas.) 3.25 qt. Imperial meas.
- 8 Cylinder (400).... 4 qt. (US meas.) 3.25 qt. Imperial meas.
- 8 Cylinder (454).... 4 qt. (US meas.) 3.25 qt. Imperial meas.

With filter change; add 1 qt. (US measure) .75 qt. Imperial measure for 6 and 8 Cyl. engines.

LUBRICATION

Crankcase oil should be selected to give the best performance under the climatic and driving conditions in the territory in which the vehicle is driven.

During warm or hot weather, an oil which will provide adequate lubrication under high operating temperatures is required.

During the colder months of the year, an oil which will

permit easy starting at the lowest atmospheric temperature likely to be encountered, should be used.

When the crankcase is drained and refilled, the crankcase oil should be selected, not on the basis of the existing temperature at the time of the change, but on the lowest temperature anticipated for the period during which the oil is to be used.

Unless the crankcase oil is selected on the basis of viscosity or fluidity of the anticipated temperature difficulty in starting will be experienced at each sudden drop in temperature.

Engine Oil and Filter Recommendations

- Use only SE engine oil.
- Change oil each 4 months or 6,000 miles. If more than 6,000 miles are driven in a 4-month period change oil each 6,000 miles.
- Change oil each 2 months or 3,000 miles, whichever occurs first, under the following conditions:

MAKE OF CAR CORVETTE MODEL YEAR 1973 DATE ISSUED 9/72 REVISED (a)

CAR AND BODY DIMENSIONS

See Pages 27, 28 for SAE Dimension Definitions

All dimensions to ground are for comparative purposes only. Dimensions are to be shown for:
4-Dr. Sedan, 2-Dr. H.T., 4-Dr. H.T., Convertible and Station Wagon.

MODEL	SAE Ref. No.	Sport Coupe		Convertible	
				Soft Top	Hard Top
WIDTH					
Track - Front	W101			58.7	
Track - Rear	W102			59.5	
Maximum overall car width	W103			69.0	
Body width at No. 2 pillar	W117			66.2	
Max. front doors open	W120			136.5	
Max. rear doors open	W121			--	
LENGTH					
Body "O" to front of dash	L 30			-1.7	
Wheelbase	L101			98.0	
Overall car length	L103			184.7	
Overhang - front	L104			42.8	
Overhang - rear	L105			43.9	
Body upper structure length	L123	57.2		59.8	61.3
Body "O" line to ϵ of rear wheel	L127			72.0	
Body "O" line to w/s cowl point	L130			16.5	
HEIGHT					
Passenger Distribution (front & rear)				2-0	
Trunk/Cargo load (lbs.)				--	
Overall height	H101	47.7			47.8
Cowl height	H114			36.3	
Deck height	H138				
Rocker panel - front	To ground	H112		7.8	
			From front wheel ϵ		21.0
Bottom of front door to ground	H133			9.9	
Rocker panel - rear	To ground	H111		7.5	
			From rear wheel ϵ		
Bottom of rear door to ground	H135			--	
Windshield slope angle	H122			57.0	
GROUND CLEARANCE					
Bumper to ground - front	H102			12.2	
Bumper to ground - rear	H104			11.8	
Angle of approach	H106			15°1'	
Angle of departure	H107			18°10'	
Ramp breakover angle	H147			11°50'	
Rear axle differential to ground	H153			6.2	
Min. running clearance (Specify)	H156			4.3 (a)	

(a) Exhaust pipe at X-member.

replaced. Connecting hoses, fittings and flame arrestor should be cleaned. At every oil change the system should be tested for proper function and serviced, if necessary.

AIR INJECTION REACTOR SYSTEM (A.I.R.)

CONTROLLED COMBUSTION SYSTEM (C.C.S.)

The Air Injection Reactor system should have the drive belt inspected for wear and tension every 12 months or 12,000 miles, whichever occurs first. In addition, complete effectiveness of either system, as well as full power and performance, depends upon idle speed, ignition timing, and idle fuel mixture being set according to specifications. A quality tune-up which includes these adjustments should be performed periodically to assure normal engine efficiency, operation and performance.

GM EVAPORATION CONTROL SYSTEM

Every 24 months or 24,000 miles (More often under dusty conditions) the filter in the base of the canister must be replaced and the canister inspected.

MANIFOLD HEAT CONTROL VALVE

Every 6,000 miles or 4 months, check valve for freedom of operation. If valve shaft is sticking, free it up with GM Manifold Heat Control Solvent or its equivalent.

AIR CLEANER

CAUTION: Do not remove the engine air cleaner unless temporary removal is necessary during repair or maintenance of the vehicle. When the air cleaner is removed, backfiring can cause fire in the engine compartment.

NOTE: Under prolonged dusty driving conditions, it is recommended that these operations be performed more often.

Oil Wetted Paper Element Type— L-6 Engine

Replace every 12,000 miles.

V-8 Engine

First 12,000 miles inspect element for dust leaks, holes or other damage. Replace if necessary. If satisfactory, rotate element 180° from originally installed position. Replace at 24,000 miles. Element must not be washed, oiled, tapped or cleaned with an air hose.

CRANKCASE VENTILATION FILTER (LOCATED WITHIN AIR CLEANER)

If so equipped, inspect at every oil change and replace if necessary. Replace at least every 24,000 miles; more often under dusty driving conditions.

FUEL FILTER

Replace filter element located in carburetor inlet every 12 months or 12,000 miles whichever occurs first, or, if an in-line filter is also used, every 24,000 miles.

Replace in-line filter every 24,000 miles.

DISTRIBUTOR

Remove distributor cap and rotate lubricator 1/2 turn at 12,000 mile intervals. Replace at 24,000 mile intervals.

REAR AXLE AND 3-SPEED 4-SPEED TRANSMISSIONS

The passenger car operates under the most severe lubrication conditions at high speed and requires a hypoid lubricant which will meet this condition.

RECOMMENDED LUBRICANTS

Standard Rear Axles—SAE 80 or SAE 90 GL-5 Gear Lubricant. (For vehicles normally operated in Canada use SAE80 GL-5 gear lubricant).

Drain and refill at first 12,000 miles then maintain same as standard axle.

CAUTION: Straight Mineral Oil gear lubricants must not be used in hypoid rear axles.

Manual transmissions—SAE 80 or SAE 90 GL-5 gear lubricant. If temperatures of below 32°F. are expected use SAE 80 GL-5 gear lubricant only.

Lubricant Additions—Manual Transmission

The lubricant level in the transmission housing should be checked periodically. (Every 6,000 miles or 4 months)

It is recommended that any additions required to bring up the lubricant level be made using the same type lubricant already in the housing (SAE 80 or SAE 90 GL-5 Gear Lubricant). (For vehicles normally operated in Canada use SAE80 GL-5 gear lubricant).

When checking lubricant level in transmission or rear axle the unit being checked should be at operating temperature. With unit at operating temperature the lubricant should be level with bottom of the filler plug hole. If the lubricant level is checked with the unit cold the lubricant level should be 1/2 inch below the filler plug hole. If temperature of below 32°F. are expected use SAE 80 GL-5 Gear Lubricant only.

Lubrication Additions—Rear Axle—Standard

Every 4 months or 6,000 miles, whichever occurs first: Check lubricant level, and add lubricant if necessary to fill to level of filler plug hole. Use SAE 80 or SAE 90 GL-5 Gear Lubricant. (For vehicles normally operated in Canada use SAE 80 GL-5 gear lubricant).

Lubricant Changes

The rear axle lubricant does not normally require

AMA Specifications Form—Passenger Car Page 4

MAKE OF CAR CORVETTE MODEL YEAR 1973 DATE ISSUED 9/72 REVISED (*)

POWER TEAMS

(Indicate whether standard or optional)

Net bhp (brake horsepower) and net torque corrected to 85° F and 29.38 in. Hg atmospheric pressure.

MODEL AVAILABILITY	ENGINE					TRANSMISSION	AXLE RATIO ** (Std. first) (Indicate A/C ratio)	
	Displ. cu. in.	Cerb.	Compr. Ratio	Net @ RPM			A	B
				BHP	Torque			
1Y237 1Y267	Turbo Fire 350V84-bbl (base)	One; #	8.5:1	190	270	4-Spd. Manual (2.52:1 low)	3.36	3.08
				@ 4400	@ 2800			
	Turbo Fire 350V84-bbl (L82)*	One; #	9.0:1	250	285	4-Spd. Manual (2.52:1 low)	3.55	3.70
				@ 5200	@ 4000	4-Spd. Manual* (2.20:1 low)	3.70	3.55
						3-Spd. Automatic*	3.55	3.70
	Turbo Jet 454V84-bbl (LS4)*	One; #	8.25:1	275	395	4-Spd. Manual (2.52:1 low)	3.08	3.36
				@ 4400	@ 2800	4-Spd. Manual* (2.20:1 low)	3.36	3.08/3.55
						3-Spd. Automatic*	3.08	3.36

* - Optional

** - Positraction standard with all axle applications

A - Standard

B - Optional

- Air Conditioning available with all Transmission/Axle combinations except with 3.70 axle ratio.

bearing lubricants. Be sure to thoroughly clean bearings and hubs of all old lubricant before repacking.

The proper adjustment of front wheel bearings is one of the important service operations that has a definite bearing on safety. A car with improperly adjusted front wheel bearings lacks steering stability, has a tendency to wander or shimmy and may have increased tire wear. The adjustment of these bearings is very critical. The procedure is covered in Section 3 of this manual under Front Wheel Bearings—Adjust.

BRAKE MASTER CYLINDER

Check level every 6,000 miles or 4 months and maintain 1/4" below lowest edge of each filler opening with GM Hydraulic Brake Fluid Supreme No. 11 or equivalent.

PARKING BRAKE

Every 6,000 miles or 4 months, apply water resistant lubricant which meets GM Specification GM 6031M to parking brake cable, cable guides and at all operating links and levers.

STEERING GEAR

Manual

The steering gear is factory-filled with steering gear lubricant. Seasonal change of this lubricant should not be performed and the housing should not be drained - **no lubrication is required for the life of the steering gear.**

Every 36,000 miles, the gear should be inspected for seal leakage (actual solid grease - not just oily film). If a seal is replaced or the gear is overhauled, the gear housing should be refilled with #1051052 (13 oz. container) Steering Gear Lubricant which meets GM Specification GM 4673M, or its equivalent.

NOTE: Do not use EP Chassis Lube to lubricate the gear. **DO NOT OVER-FILL** the gear housing.

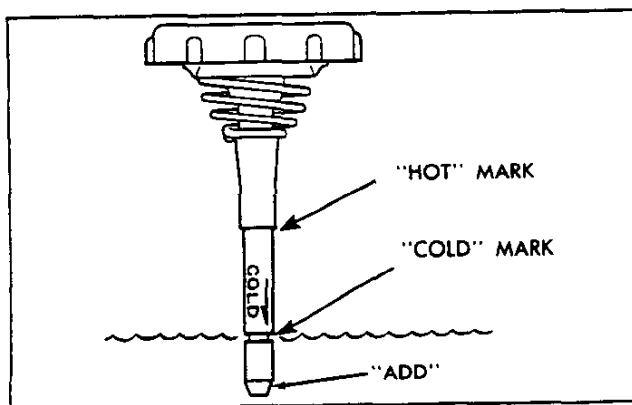


Fig. 7—Power Steering Filler Cap Indicator

Power Steering System

Check the fluid level in the pump reservoir at each oil change period. Add GM Power Steering Fluid (or DEXRON Automatic Transmission Fluid) as necessary to bring level into proper range on filler cap indicator depending upon fluid temperature.

If at operating temperature (approximately 150° F-- hot to the touch), fluid should be between "HOT" and "COLD" marks. If at room temperature (approximately 70° F), fluid should be between "ADD" and "COLD" marks. Fluid does not require periodic changing.

Power Steering Valve Adapter-Corvette

Every 4 months or 6,000 miles, whichever occurs first, lubricate the power steering valve adapter with EP chassis lubricant which meets G.M. Specification GM 6031.

ELECTRICAL

BATTERY CARE (ENERGIZER)

Energizer—Check fluid level monthly utilizing the level indicator cap marked "Delco Eye". If the transparent eye within the cap glows, fluid level is low. Add only colorless, odorless drinking water or distilled water to bring level to split ring in filler opening.

HOOD LATCHES

Every 4 months or 6,000 miles, whichever occurs first, lubricate hood latch assembly and hood hinge assembly as follows:

1. Wipe off any accumulation of dirt or contamination on latch parts.
2. Apply Lubriplate or equivalent to latch pilot bolts and latch locking plate.
3. Apply light engine oil to all pivot points in release mechanism, as well as primary and secondary latch mechanisms.
4. Lubricate hood hinges.
5. Make hood hinge and latch mechanism functional check to assure the assembly is working correctly.

AIR CONDITIONING

Every 6,000 miles or 4 months check sight glass under the hood, after the system has been in operation for several minutes. Sight glass should be clear but may, during milder weather, show traces of bubbles. Foam or dirt indicate a leak which should be repaired immediately.

BODY LUBRICATION

See Body Service Manual for Body Lubrication. (Except Corvette)

AMA Specifications Form—Passenger Car

MAKE OF CAR CORVETTE MODEL YEAR 1973 DATE ISSUED 9/72 REVISED (a)

MODEL	Standard	V8-350	L82	V8-454	LS4
-------	----------	--------	-----	--------	-----

ENGINE - RINGS

Function (top to bottom)	No. 1, oil or comp.	Compression			
	No. 2, oil or comp.	Compression			
	No. 3, oil or comp.	Oil			
	No. 4, oil or comp.	None			
Compression	Description - Upper material, coating, etc.	Cast alloy iron; barrel face (a)(e)			
	Lower	Cast alloy iron; inside bevel; tapered face (b)			
	Width	(c)	(d)	Upr & lwr .0070-.0775	
	Gap	Upper .010-.020; lower .013-.025		.010-.020	
Oil	Description - material, coating, etc.	Multi-piece (2 rails and 1 spacer expander) Rails - steel, chrome plated OD; Expander - stainless steel			
	Width	.1850 - .1870		.1855 - .1875	
	Gap	.015 - .055		.010 - .030	
Expanders	In oil ring assembly				

ENGINE - PISTON PINS

Material	Chromium steel				
Length	2.990-3.010		2.930-2.950		
Diameter	.9270-.9273		.9895-.9898		
Type	Locked in rod, in piston, floating, etc.	Locked in rod			
	Bush- ing	In rod or piston Material	None		
Clearance	In piston	.00015-.00025	.00045-.00055	.00040-.00050	
	In rod				
Direction & amount offset in piston	Major thrust side .060	None		Major thrust side .060	

ENGINE - CONNECTING RODS

Material	Drop forged steel				
Weight (oz.)	20.80		27.80		
Length (center to center)	5.695-5.705		6.130-6.140		
Bearing	Material & Type	Premium aluminum			
	Overall length	.797		.847	
	Clearance (limits)	.0013-.0035		.0009-.0025	
	End play	.008-.014		.015-.023	

(a) Chrome plated on Standard V8-350 molybdenum inlay other engines

(b) Wear resistant coating; chrome plated on L82

(c) Upper .0775-.0780; lower .0770-.0780

(d) Upper .0770-.0780; lower .0775-.0780

(e) Also graphite impregnated on LS4

0-20 GENERAL INFORMATION AND LUBRICATION

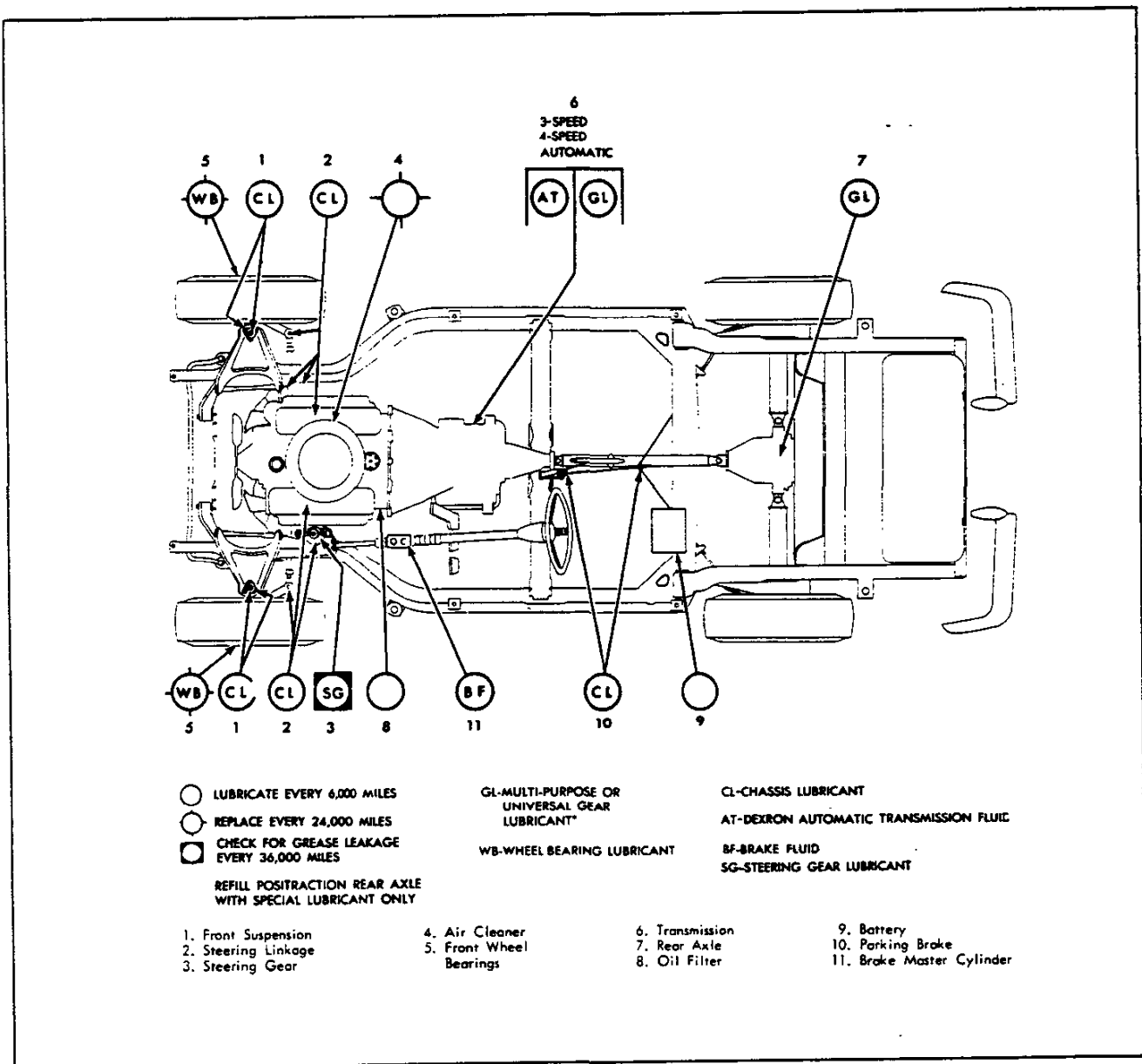


Fig. 12—Lubrication Diagram—Corvette Models

AMA Specifications Form—Passenger Car

MAKE OF CAR CORVETTE MODEL YEAR 1973 DATE ISSUED 9/72 REVISED (a)

MODEL		V8-350		L82		V8-454		
ENGINE - VALVE SYSTEM		Standard		L82		LS4		
Hydraulic lifters (Std., opt., NA)		Standard						
Valve rotator, type (intake, exhaust)		Exhaust				None		
Rocker ratio		1.50:1				1.70:1		
Operating tappet clearance (indicate hot or cold)	Intake	Zero						
	Exhaust	Zero						
Timing (based on top of ramp points)	Intake	Opens (°BTC)	28°	52°	55°			
		Closes (°ABC)	72°	114°	111°			
		Duration (deg.)	280°	346°	346°			
	Exhaust	Opens (°BBC)	78°	98°	105°			
		Closes (°A°C)	30°	62°	63°			
		Duration (deg.)	288°	340°	348°			
Valve open overlap (deg.)		58°	114°	118°				
Material		Alloy steel (aluminized face & head on V8-454)						
Overall length		4.870-4.889				5.215-5.235		
Actual overall head dia.		1.935-1.945		2.017-2.023		2.060-2.070		
Angle of seat & face (deg.)		46° (seat) 45° (face)						
Seat insert material		None						
Stem diameter		.3410-.3417				.3715-.3722		
Stem to guide clearance		.0010-.0027						
Lift (- zero lash)		.3900		.4500		.4400		
Intake	Outer spring press. & length	Valve closed (lb.-in.)	76-84 @ 1.70				74-86 @ 1.88	
		Valve open (lb.-in.)	194-206 @ 1.25				288-312 @ 1.38	
	Inner spring press. & length	Valve closed (lb.-in.)	Spring damper					
		Valve open (lb.-in.)	Spring damper					
	Material		High alloy steel, aluminized face (a)					
	Overall length		4.913-4.933		4.891-4.910		5.345-5.365	
Actual overall head dia.		1.495-1.505		1.595-1.605		1.715-1.725		
Angle of seat & face (deg.)		46° (seat) 45° (face)						
Seat insert material		None						
Stem diameter		.3410-.3417				.3713-.3720		
Stem to guide clearance		.0010-.0027						
Lift (- zero lash)		.4100		.4600		.4400		
Exhaust	Outer spring press. & length	Valve closed (lb.-in.)	76-84 @ 1.61		76-84 @ 1.70		74-86 @ 1.88	
		Valve open (lb.-in.)	194-206 @ 1.16		194-206 @ 1.25		288-312 @ 1.38	
	Inner spring press. & length	Valve closed (lb.-in.)	Spring damper					
		Valve open (lb.-in.)	Spring damper					

(a) Head also aluminized on V8-454

CORVETTE

1973 MODEL WITH STANDARD EQUIPMENT

Description	Model Number	Wheel-base	Factory D & H [§]	List Price	Mfr's Suggested Retail Price [★]	Destination Charge & Group Number	Total
■ 8-Cylinder Turbo-Fire 350-4 Engine—Engine Ordering Code L48							
Coupe—2-Passenger.....	1YZ37	98"	\$ 14.50	\$5547.00	\$5561.50	14.....	
Convertible—2-Passenger with manually operated folding top.....	1YZ67	98"	14.50	5321.00	5335.50	14.....	

★ Manufacturer's Suggested Retail Prices do not include state and local taxes, license fees, options or accessories.

■ Available for registration in the State of California when California Emission Equipment is ordered.

OPTIONS AND ACCESSORIES WHEN INSTALLED BY CHEVROLET

Description	Option Number	Factory D & H [§]	List Price	Mfr's Suggested Retail Delivered Price [⊙]
-------------	---------------	----------------------------	------------	---

POWER TEAMS

(See Power Teams Chart for availability and complete engine specifications)

Engines:				
<i>Turbo-Fire Special 350-4</i>	LB2	—	\$299.00	\$299.00
<i>Turbo-Jet 454-4</i> . Includes HD battery.....	LS4	—	250.00	250.00
Transmissions: Replacing standard 4-speed wide-range transmission.				
<i>Turbo Hydra-matic</i>				
With Turbo-Fire 350-4 engine.....	M40	—	N.C.	N.C.
With Turbo-Fire Special 350-4 or Turbo-Jet 454-4 engine.....	M40	—	97.00	97.00
4-Speed Close-Ratio. Available only when Turbo-Fire Special 350-4 or Turbo-Jet 454-4 engine is ordered.....				
Turbo-Jet 454-4 engine is ordered.....	M21	—	N.C.	N.C.
Axle Ratios: Replacing standard positraction rear axle ratio.				
<i>Economy</i>	ZQ8	—	12.00	12.00
<i>Performance</i>	ZQ9	—	12.00	12.00
Special				
3.08.....	YC7	—	12.00	12.00
3.36.....	YC2	—	12.00	12.00
3.55.....	YC3	—	12.00	12.00

POWER ASSISTS

Brakes, Power	J50	—	46.00	46.00
Steering, Power	N40	—	113.00	113.00
Windows, Power: Electric	A31	—	83.00	83.00

§ D&H amounts reflect provision for pass through of tire weight tax imposed on manufacturer or importer of tires.
 ⊙ State and local taxes not included.

AMA Specifications Form—Passenger Car

MAKE OF CAR CORVETTE MODEL YEAR 1973 DATE ISSUED 9/72 REVISED (e)

MODEL Standard V8-350 L82 V8-454 LS4

ENGINE - FUEL SYSTEM

(See supplemental page for Details of Fuel Injection, Supercharger, etc. if used)

Induction type: Carburetor, fuel injection, supercharger.		Carburetor		
Fuel Tank	Refill capacity (U.S. gals.)	18 approximately		
Fuel Tank	Filler location	Center of rear deck		
Fuel Pump	Type (elec. or mech.)	Mechanical		
Fuel Pump	Locations	Lower right front of engine		
Fuel Pump	Pressure range *	7.50-9.00 PSI		
Vacuum booster (std., optional, none)		None		
Fuel Filter	Type	Fine mesh plastic strainer in gas tank		
Fuel Filter	Locations	and paper filter element in carburetor inlet		
Choke type		Automatic		
Intake manifold heat control (exhaust or water)		Exhaust		
Carburetor	Air cleaner type	Standard	Oil wetted paper element	
		Optional	--	
	Idle speed (spec. neutral or drive)	Manual	900	900
		Automatic	600	700
Idle A/F mix.		Not specified		

CARBURETOR SUPPLEMENTARY INFORMATION

Model Usage	Engine Displ.	Transmission	Carburetors		No. Used and Type	Barrel Size
			Make	Model		
	350 Std.	Manual	Rochester	7043203 (7043202)	One; 4-bbl	1.38 Prim 2.25 Sec
		Automatic		7043503 (7053502)		
	350 L82	Manual	Rochester	7043213 (7043513)	One; 4-bbl	1.38 Prim 2.25 Sec
		Automatic		7043212 (7043512)		
	454 LS4	Manual	Rochester	7043201 (7043501)	One; 4-bbl	1.38 Prim 2.25 Sec
		Automatic		7043200 (7043500)		

* Shut off pressure - 1800 RPM at pump outlet

NOTE: Items bracketed () are used in engines required for California

CORVETTE POWER TEAMS

Engine, Transmission and Positraction Rear Axle Combinations (Engine horsepower ratings are reflected at "net" horsepower)

ENGINE		TRANSMISSION	POSITRACTION REAR AXLE RATIOS					
Option Number	Description	Type (Std or Optional)	Without Air Conditioning			With Air Conditioning		
			Std	Optional		Std	Optional	
				Econ	Perf		Spec	Econ

STANDARD ENGINE

■ Standard Eight-Cylinder Engine Ordering Code L48	190-hp Turbo-Fire 350-4 8-Cylinder 350-cu-in displacement 4-barrel carburetor Hydraulic valve lifters 8.5:1 compression ratio	4-Speed Wide Range (Std) —M20	3.36	3.08	—	—	3.36	3.08	—
		Turbo Hydra-matic—M40	3.08	—	3.36	—	3.08	—	3.36

OPTIONAL ENGINES

■ Option L82	250-hp Turbo-Fire Special 350-4 8-Cylinder 350-cu-in displacement 4-barrel carburetor Hydraulic valve lifters 9.0:1 compression ratio	4-Speed Wide-Range (Std) —M20	3.55	—	3.70	—	3.55	—	—
		4-Speed Close-Ratio—M21 Without Off Road Package	3.70	3.55	—	—	3.55	—	—
		With Off Road Package	4.11	3.70	—	3.36 3.55	—	—	—
		Turbo Hydra-matic—M40	3.55	—	3.70	—	3.55	—	—
■ Option LS4	275-hp Turbo-Jet 454-4 8-Cylinder 454-cu-in displacement 4-barrel carburetor Hydraulic valve lifters 8.25:1 compression ratio	4-Speed Wide-Range (Std) —M20	3.08	—	3.36	—	3.08	—	—
		4-Speed Close-Ratio—M21 Without Off Road Package	3.36	3.08	3.55	—	3.36	—	—
		With Off Road Package	3.55	3.36	—	3.08	—	—	—
		Turbo Hydra-matic—M40	3.08	—	3.36	—	3.08	—	—

■ Available for registration in the State of California when California Emission Equipment is ordered.

AMA Specifications Form—Passenger Car

MAKE OF CAR CORVETTE MODEL YEAR 1973 DATE ISSUED 9/72 REVISED (a)

MODEL _____

VEHICLE EMISSION CONTROL

Exhaust Emission Control	Type (Air injection, engine modifications, other)		Air injection		
	Air Injection Pump	Type	Semi-articulated vane type		
		Displacement	19.3 cubic inch		
		Drive ratio	1.15:1		
		Drive type	Crankshaft pulley		
		Relief valve (type)	Diverter valve		
		Filter (describe)	Centrifugal air cleaner		
	Air Injection System	Air distribution (head, manifold, etc.)	Manifold		
		Point of entry	Exhaust ports		
		Injection tube i.d.	.2565		
Check valve type		Pressure plate type			
Backfire protection (type)		Diverter valve			
Crankcase Emission Control	Type (ventilates to atmos., induction system, other)	Standard	Induction system		
		Optional	--		
	Control Unit	Make and model	AC Spark Plug - 6484541		
		Location	Left front of rocker cover		
		Energy source (manifold vacuum, carburetor, other)	Manifold vacuum		
	Complete system	Control method (variable orifice, fixed orifice, other)	Variable orifice		
		Discharges (to intake manifold, other)	Intake manifold		
		Air inlet (breather cap, other)	Carburetor air cleaner		
		Flame arrester (screen, other)	Screen		
	Evaporative Emission Control	Fuel Tank	Refill Capacity (U.S. gallons)	18 approximately	
Thermal expansion volume (cu. ft.)			Approximately 10% of refill capacity		
Pressure relief location (lbs.)			1.1 PSI		
Vacuum relief location (lbs.)			3 PSI		
Vapor-liquid separator type			Vapor vent pipe		
Vapor vented to (crankcase, canister, other)			Canister		
Carbu- rator		Vapor vented to (crankcase, canister, other)		--	
				No vents	
		Vapor Storage	Storage provision (crankcase, canister, other)		--
					Canister
	Volume (cu. ft.) or capacity (grams)	Approximately 50 grams storage capacity			
	Control valve	Vacuum controlled staged purge valve			

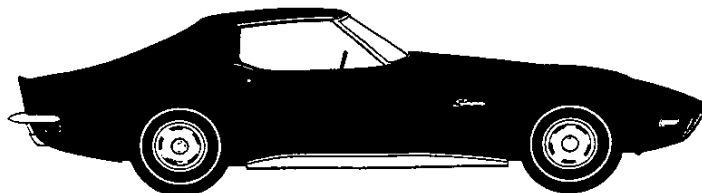
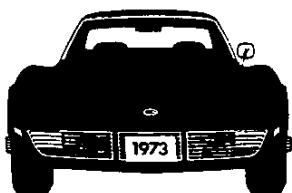
1973 Corvette

	Page No.
Standard Equipment	2
Corvette Coupe 1YZ37-V8	3-4
Corvette Convertible 1YZ67-V8	5
Custom Interior	6
Standard Interior	7
Major Features	8
Selected Options	9
Power Teams	10
Specifications	11
Color and Trim	12

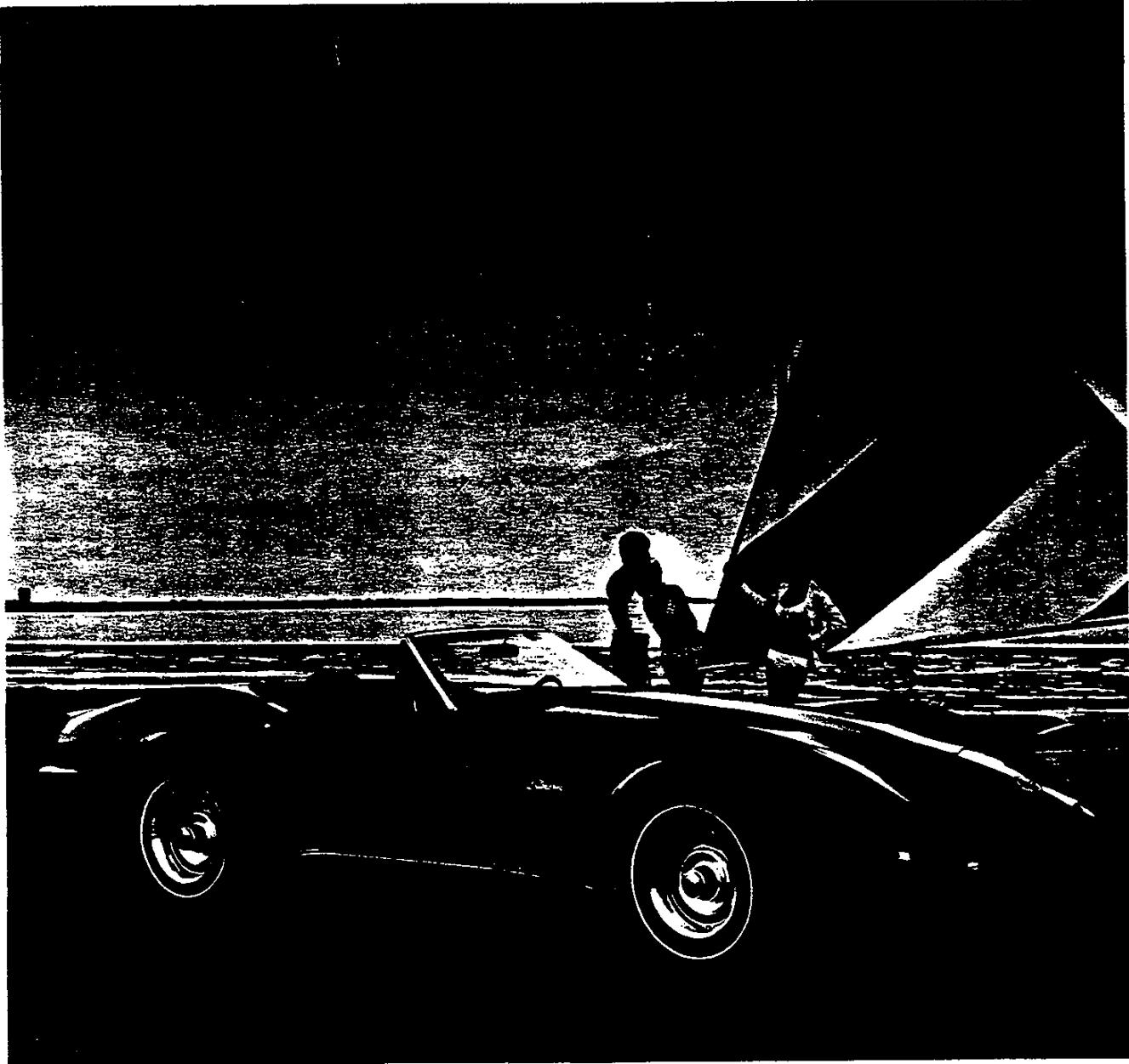
Corvette Features

- Resilient body-color bumper with bright precision-cast grille and clear lens parking lights
- Body-color front bumper and grille guards
- Bright front license plate frame
- Bright windshield molding
- Air induction hood
- Hide-A-Way windshield wipers
- Functional front fender air vents
- Bright roof drip molding on Coupe
- Manually operated folding top on Convertible
- Body sill molding
- Bright wheel trim rings and center caps
- Fixed rear window and removable roof panels on Coupe
- Twin-unit taillights and back-up lights with bright bezels
- Bright dual exhaust outlets
- Wraparound rear bumper with built-in bumper guards
- Bright rear license plate frame
- Tapered high-back bucket seats with integral head restraints
- Luxurious all-vinyl interior (Custom interior with genuine leather seat panels available at extra cost)
- Special sport-style steering wheel
- Convenient stowage pockets in instrument panel
- Aircraft-type center console
- Rally-type electric clock
- Ammeter, temperature, fuel and oil pressure gauges
- 7,000-rpm tachometer
- Separate trip odometer
- Seat belt and door ajar warning lights
- Console-mounted parking brake control
- Custom deluxe color-matched seat belts (and shoulder belts on Coupe)
- Molded door panels with built-in armrests
- Color-keyed deep-twist carpeting
- Dual courtesy lights with automatic door switches
- Carpeted rear compartment stowage wells
- Concealed convertible top stowage on Convertible

Appearance features available include: Custom Interior (genuine leather seat panels; plush cut-pile carpeting; special door trim with carpeted lower panels; wood-grain accents on doors and center console); Custom wheel covers; special nylon white stripe tires; special nylon white lettered tires.

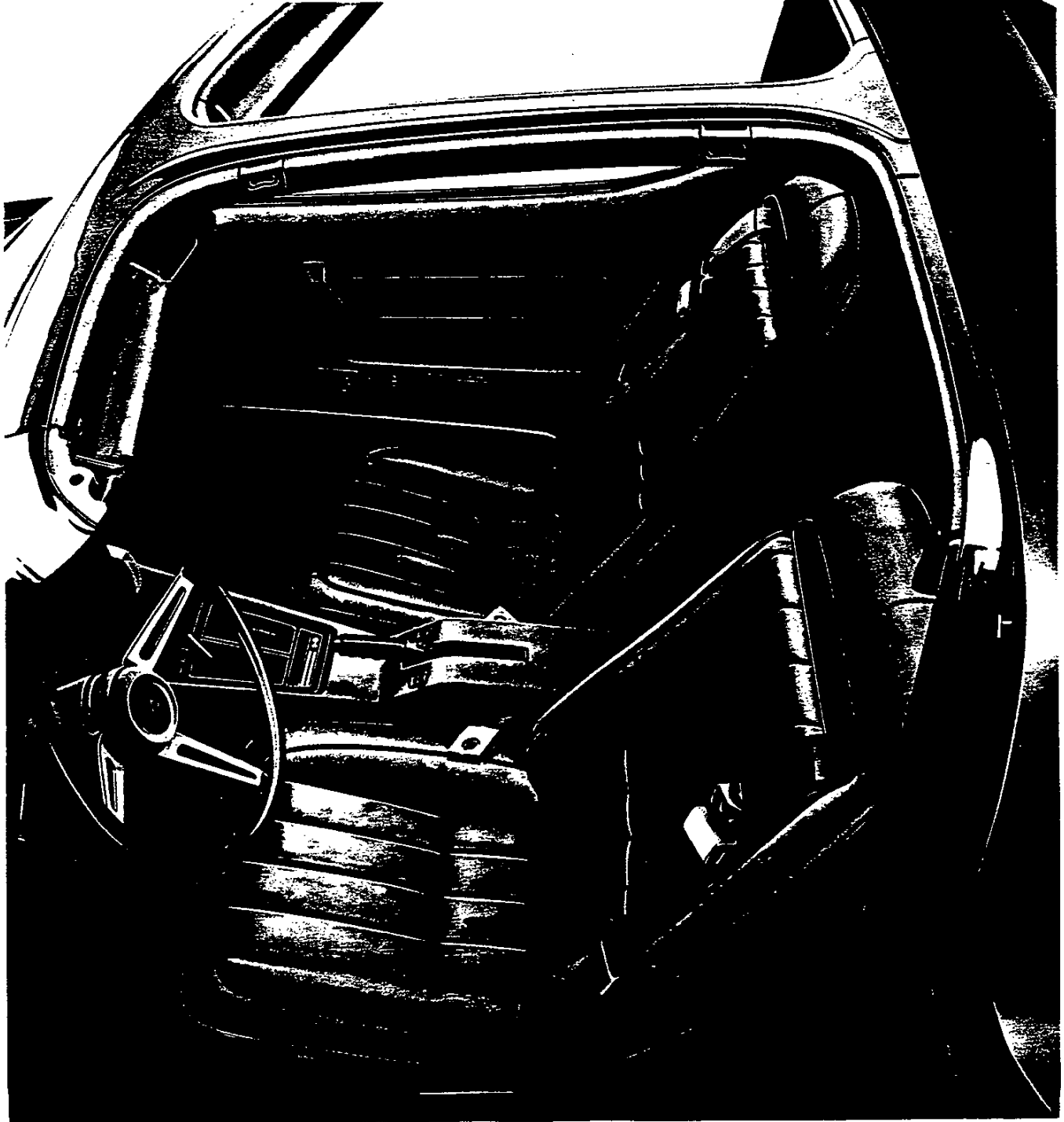


Corvette Convertible



Corvette Custom Interior

Available at extra cost. Includes: genuine leather seat panels; plush cut-pile carpeting; special door trim with carpeted lower panels; rich wood-grain on doors and center console.



Corvette Standard Interior



Major Features—Standard on 1973 Corvettes

- Stronger front bumper with special mounting
- Power-operated retractable dual headlights
- High-rise fenders with functional air vents
- Tinted glass in all windows
- Recessed outside door handles
- Full door-glass styling
- Wheel trim rings and center caps
- Flow-through ventilation system
- Tapered high-back bucket seats with integral head restraints
- Special sport-styled steering wheel
- Tachometer, ammeter, oil pressure, fuel and temperature gauges
- Separate trip odometer
- Warning lights for seat belt and door ajar
- Console-mounted parking brake control
- Deep twist floor carpeting
- All-vinyl interior trim
- Unitized seat and shoulder belt buckle design
- Rear compartment stowage wells
- Efficient valve-in-head design
- Evaporation control system
- Full dual exhaust system
- 4-Speed fully synchronized transmission
- Positraction rear axle
- High-dome hood with carburetor air induction
- Advanced accessory drive system
- High-output Delcotron generator
- Sealed side-terminal Energizer battery
- Positive-shift starter
- Automatic choke
- Built-in blended-air heater and defroster system
- Side-guard door beams
- Curved side windows
- Dual-speed electric windshield wipers
- Front lower air spoiler
- Rear deck air spoiler
- Separate spare tire stowage with key lock
- Steel-reinforced fiberglass body
- Built-in anti-theft audio alarm system
- Magic-Mirror acrylic lacquer finish
- Full independent suspension system
- Self-adjusting disc brakes at all four wheels
- GR70-15 steel-belted radial ply blackwall tires
- Wide 15" x 8" wheels

Safety and Security Features

Occupant Protection Features

- Single buckle seat belts and shoulder belts (except Convertible) with pushbutton buckles and retractors for driver and passenger with reminder light and buzzer
- Built-in head restraints
- Energy-absorbing steering column
- Passenger-guard door locks
- Safety door latches and hinges
- Folding seat back latches
- Energy-absorbing padded instrument panel
- Contoured windshield header (except Convertible)
- Thick-laminate windshield
- Padded sun visors
- Safety armrests
- Safety steering wheel
- Side-guard beams
- Fuel tank impact security
- Glove compartment and console door latch impact security
- Smooth-contoured door and window regulator handles

- Soft, low-profile window control knobs, coat hooks, dome light
- Pressure lock radiator cap
- High-strength seat anchorages and construction
- Stamped steel door hinges

Accident Prevention Features

- Side marker lights and reflectors (front side marker lights flash with directional signal)
- Parking lights that illuminate with headlights
- Four-way hazard warning flasher
- Back-up lights
- Lane-change feature in direction signal control
- Windshield defroster, washers and dual-speed wipers
- Wide-view inside day-night mirror (vinyl-edged, shatter-resistant glass and deflecting support)
- Outside rearview mirror
- Dual master cylinder brake system with warning light

- Starter safety switch
- Improved bumper system
- Headlight aiming access provision
- Low-glare instrument panel top, inside windshield moldings, wiper arms and blades, and steering wheel metallic surfaces
- Safety wheel rims
- Uniform shift quadrant
- No winged wheel nuts, covers or caps
- Self-adjusting brakes
- Illumination of windshield wiper and washer, heater and defroster controls

Anti-Theft Features

- Anti-theft ignition key warning buzzer
- Anti-theft steering column lock
- Multiple key combinations
- Visible vehicle identification
- Tamper-resistant odometer with telltale feature
- Anti-theft audio alarm

Corvette Selected Options

Description	RPO Number	Coupe	Convertible
Power Teams (See power teams chart on page 10)			
Power Assists			
Brakes, power	J50	X	X
Steering, power—variable-ratio	N40	X	X
Windows, power	A31	X	X
Other Options			
Air conditioning—Four-Season	C60	X	X
Battery, heavy-duty. Included when Turbo-Jet 454 engine is ordered	T60	X	X
Belts, Custom Deluxe shoulder. Driver and passenger	A85	Std.	X
California assembly line emission test	YF5	X	X
Defogger, rear window (forced-air)	C50	X	X
Light, map. Mounted on inside rearview mirror	UF1	X	X
Off-road handling package. Available with optional engines and M21 4-speed transmission only	Z07	X	X
Radio equipment. Includes 30" fixed height rear antenna			
AM/FM Radio	U69	X	X
AM/FM/Stereo Radio	U58	X	X
Roof cover, vinyl. Black—with auxiliary hardtop only	C08	NA	X
Steering wheel, tilt-telescopic	N37	X	X
Top, auxiliary. Hardtop—in addition to folding top	C07	NA	X
Top, folding: manually operated; available with all exterior colors			
Black	BB	NA	X
White	AA	NA	X
Trim, Custom interior. Includes leather seat trim, special cut pile carpeting, door trim panels with wood-grained accents and lower carpeting plus console with wood-grained accents	...	X	X
Wheel covers, custom	P02	X	X
Wheels, special cast aluminum with center caps	Y18	X	X
Factory Installed Regular Production Tires			
Replaces (5) GR70-15/B steel belted radial ply blackwall:			
(5) GR70-15B/ steel belted radial ply white stripe	ORM	X	X
(5) GR70-15/B steel belted radial ply white lettered	ORZ	X	X

NA—Not Available

Corvette Power Teams

Engines	Ordering Code	Axle ratios	4-Speed Manual		Turbo Hydra-matic
			Standard	RPO M21	RPO M40
Turbo-Fire 350-4	L48	—Standard Axle Ratio	3.36*	—	3.08*
		—Economy Ratio (RPO ZQ8)	3.08†	—	—
		—Performance Ratio (RPO ZQ9)	—	—	3.36
Turbo-Fire Special 350-4	L82	—Standard Axle Ratio	3.55†	3.70	3.55*
		—Economy ratio (RPO ZQ8)	3.36*	3.55*	3.36
		—Performance ratio (RPO ZQ9)	3.70	—	3.70
Turbo-Jet 454-4	LS4	—Standard axle ratio	3.08*	3.36*	3.08*
		—Economy ratio (RPO ZQ8)	—	3.08	—
		—Performance ratio (RPO ZQ9)	3.36†	3.55†	3.36

Note: All axles are limited slip.

*Standard ratio furnished when air conditioning is ordered.

†Optional ratio available when air conditioning is ordered.

Engine Specifications

Engine	Turbo-Fire 350-4	Turbo-Fire Special 350-4	Turbo-Jet 454-4
Type	V8	V8	V8
Displacement (cu. in.)	350	350	454
Bore x Stroke (in.)	4.00 x 3.48	4.00 x 3.48	4.25 x 4.00
HP @ RPM	190 @ 4400	250 @ 5200	275 @ 4400
Torque @ RPM	270 @ 2800	285 @ 4000	395 @ 2800
Compression ratio	8.5:1	9.0:1	8.25:1
Carburetion	4-barrel	4-barrel	4-barrel
Exhaust system	dual	dual	dual

Note: Horsepower and Torque ratings are SAE net as installed.

Transmissions

Engines	Transmission gear ratios (:1)					Shift selector	
	1	2	3	4	R	Console	
4-Speed Fully Synchronized (Standard)	All	2.52	1.88	1.46	1.00	2.59	X
4-Speed Fully Synchronized (RPO M21)	L82 and LS4	2.20	1.64	1.27	1.00	2.26	X
Turbo Hydra-matic (RPO M40)	All	Drive (max.)—5.21:1 to 1:1 Low 2—5.21:1 to 1.48:1 Low 1—5.21:1 to 2.48:1 Reverse—4.37:1 to 2.08:1					X

Clutch Details

All Engines	
Clutch type	Semi-centrifugal bent-finger-design diaphragm spring with single dry disc—pearlitic or nodular iron pressure plate
Disc Facing Material	Premium grade woven asbestos
Disc Facing Outside Diameter (in.)	11.00
Disc Facing Total Area (sq. in.)	123.70
Spring Effective Plate Load (lbs.)	2450-2750

Corvette Specifications

Exterior Dimensions

	Coupe	Convertible
Wheelbase	98.0	98.0
Length (overall)	184.7	184.7
Width (overall)	69.0	69.0
Height (loaded)	47.7	47.8
Front tread	58.7	58.7
Rear tread	59.5	59.5
Minimum ground clearance	4.3	4.3

Interior Roominess

Head room	36.2*	37.1
Leg room	42.1	42.1
Hip room	48.8	48.8
Shoulder room	47.9	47.9
Entrance height	29.0	29.0

Luggage Compartment

Usable luggage space (cu. ft.)	6.1	5.0
--------------------------------	-----	-----

Glass Area

Windshield glass area (sq. in.)	977.4	977.4
Rear window glass area (sq. in.)	392.5	418.0
Total glass area (sq. in.)	2170.7	2196.2

Steering & Tires

Turning circle—curb-to-curb (ft.)	37.0
Turning circle—wall-to-wall (ft.)	38.6
Steering ratio—std. (overall)	20.2:1
Steering ratio—power (overall)	17.6:1
Standard tire size	GR70-15B

Fuel Capacity & Weight

Rated fuel tank capacity (gallons)	18	18
Curb weight—standard V8 (lbs.)	3407	3414
Shipping weight—standard V8 (lbs.)	3326	3333

*With removable hardtop—36.1

Corvette Color & Trim

Interior Trim	Black		Blue (Midnight)	Red (Dark)	Saddle (Dark)		Saddle (Medium)	
	Vinyl	Custom Interior Leather	Vinyl	Vinyl	Vinyl	Custom Interior Leather	Vinyl	Custom Interior Leather
Coupe or Convertible bucket seat	400	404	413	425	418	422	415	416

Exterior Colors

	Code					
Blue, Medium (Metallic)	22	X	X			X
Blue, Dark (Metallic)	27	X	X	X		X
Blue-Green (Metallic)	45	X		X	X	X
Green, Elkhart (Metallic)	47	X				X
Orange (Metallic)	80	X	X		X	X
Red, Mille Miglia	76	X	X	X	X	X
Silver (Metallic)	14	X	X	X	X	X
White, Classic	10	X	X	X	X	X
Yellow	52	X	X		X	
Yellow (Metallic)	53	X	X			

Vinyl Roof Cover — RPO C08 (with auxiliary hardtop only)

Vinyl roof color	Code	Exterior color availability
Black	BB	all exterior colors

CONVERTIBLE TOP COLORS: Choice of white (AA) or black (BB) top available with all exterior colors.

1973 AMA SPECIFICATIONS FORM ... Passenger Car

MANUFACTURER Chevrolet Motor Division General Motors Corporation	CAR NAME CORVETTE	
MAILING ADDRESS Chevrolet Engineering Center 30003 Van Dyke Warren, Michigan 48090	MODEL YEAR 1973	ISSUED September, 1972
		REVISED (e)

The information contained herein is prepared, distributed by, and is solely the responsibility of the automobile manufacturing company to whose products it relates. Questions concerning these specifications should be directed to the manufacturer whose address is shown above. This specification form was developed by automobile manufacturing companies under the auspices of the Automobile Manufacturers Association.

Page 1 **AMA Specifications Form—Passenger Car** Page

MAKE OF CAR CORVETTE MODEL YEAR 1973 DATE ISSUED 9/72 REVISED (a)

BODY MODEL	Body Series, Type and Number. (Use mfg's. code for identification)	Number of Passengers (Indicate Front/Rear)
<u>CORVETTE</u>	<u>Model Numbers</u>	<u>Front</u>
2-Door Sport Coupe	1YZ37	2
2-Door Convertible	1YZ67	2

INDEX

SUBJECT	PAGE NO.	SUBJECT	PAGE NO.
Automatic Transmission.....	17	Kingpin (Steering Axis).....	21
Axis, Steering.....	21	Lamp height and spacing.....	24
Axle, Rear.....	18	Legroom.....	3
Battery.....	13	Lengths - Car and Body.....	2
Bearings, Engine.....	5, 6, 7	Lifters, valve.....	8
Belts - Fan, Generator, Water Pump.....	11	Linings - Clutch, Brake.....	16, 20
Brakes - Parking, Service.....	19, 20	Lubrication.....	9, 16, 17, 18
Camber.....	21	Luggage Compartment.....	3
Camshaft.....	7	Motor, Starting.....	13
Capacities		Muffler.....	9
Cooling System.....	11		
Fuel Tank.....	10	Piston Pins & Rings.....	5, 6
Lubricants		Pistons.....	5, 6
Engine Crankcase.....	9	Power Brakes.....	20
Transmission and Overdrive.....	16, 17	Power Steering.....	21
Rear Axle.....	18	Power Teams.....	4
Car and Body Dimensions		Propeller Shaft, Universal Joints.....	17, 18
Width.....	2	Pumps - Oil, Fuel.....	9, 10
Length.....	2	Water.....	11
Height.....	2	Radiator, Hoses.....	11
Ground Clearance.....	2	Ratios - Axle.....	4, 18
Front Compartment.....	3	Compression.....	4, 5
Rear Compartment.....	3	Steering.....	21
Luggage Compartment.....	3	Transmission.....	16, 17
Station Wagon - Third Seat.....	3	Rear Axle.....	4, 18
Station Wagon - Cargo Space.....	3	Regulator - Generator.....	13
Carburetor.....	4, 10, 12	Rims.....	19
Caster.....	21	Rings, Piston.....	6
Choke, Automatic.....	10	Rods - Connecting.....	6
Clutch - Pedal Operated.....	16	Shock Absorbers, Front & Rear.....	22
Coil, Ignition.....	15	Spark Plugs.....	15
Connecting Rods.....	6	Speedometer.....	15
Convenience Equipment.....	24	Springs - Front & Rear Suspension.....	22
Cooling System.....	11		
Crankcase Ventilation System.....	12	Stabilizer (Sway Bar) - Front & Rear.....	22
Crankshaft.....	7	Starting System.....	13
Cylinders and Cylinder Head.....	5	Steering.....	21
Dimension Definitions		Supply System.....	13
Key Sheet - Exterior.....	27, 28	Suppression - Ignition, Radio.....	15
Key Sheet - Interior.....	27, 29	Suspension - Front & Rear.....	22
Distributor - Ignition.....	14		
Electrical System.....	13, 14, 15	Tail Pipe.....	9
Engine		Thermostat, Cooling.....	11
Bore, Stroke, Displacement, Type.....	5	Timing, Engine & Valve.....	8, 14
Compression Ratio.....	4, 5	Tires.....	19
Firing Order, Cylinder Numbering.....	5	Toe in.....	21
General Information, H.P. & Torque.....	4, 5	Torque Converter.....	17
Lubrication.....	9	Torque - Engine, Rated.....	4
Power Teams.....	4	Transmission - Types.....	4, 10, 16, 17
Exhaust Emission Control.....	12	Automatic.....	4, 10, 16, 17
Exhaust System.....	9	Manual.....	4, 10, 16
Equipment Availability.....	24	Ratios.....	16, 17
Fan, Cooling.....	11	Track.....	2
Filters - Engine Oil, Fuel System.....	9, 10	Trunk Luggage Capacity.....	3
Frame.....	23	Turning Diameter.....	21
Front Suspension.....	22	Unitized Construction.....	23
Fuel, Fuel Pump, Fuel System.....	5, 10	Universal Joints, Propeller Shaft.....	17, 18
Fuel Injection.....	10	Valves - Intake & Exhaust.....	8
Generator and Regulator.....	13	Vibration Damper.....	7
Glass.....	23	Voltage Regulator.....	13
Height (Lamps).....	24	Water Pump.....	11
Headroom - Body.....	3	Weights.....	25, 26
Heights - Car and Body.....	2	Wheel Alignment.....	21
Horns.....	15	Wheelbase.....	2
Horsepower - Brake.....	4	Wheels & Tires.....	19
Ignition System.....	14	Wheel Spindle.....	21
Inflation - Tires.....	19	Widths - Car and Body.....	2
Instruments.....	15	Windshield.....	23
		Windshield Wiper.....	15



MAKE OF CAR CORVETTE MODEL YEAR 1973 DATE ISSUED 9/72 REVISED ^(*)

CAR AND BODY DIMENSIONS

See Pages 27, 29 for SAE Dimension Definitions

MODEL	SAE Ref. No.	Sport Coupe	Convertible	
			Soft Top	Hard Top

FRONT COMPARTMENT

H Point to body "O" line	L31		44.7	
Effective head room	M61	36.2	37.1	36.0
Max. eff. leg room - accelerator	L34		42.1	
H Point to heel point	M30		6.4	
H Point travel	L17		4.5	
Shoulder room	W 3		47.9	
Hip room	W 5		48.8	
Upper body opening to ground	M50		43.6	

REAR COMPARTMENT

H Point couple distance	L50			
Effective head room	M63			
Min. effective leg room	L51			
H Point to Heel point	M31			NOT
Min. knee room	L48			
Rear Compartment room	L 3			APPLICABLE
Shoulder room	W 4			
Hip room	W 6			
Upper body opening to ground	M51			

LUGGAGE COMPARTMENT

Usable luggage capacity (cu. ft.)	V 1	6.1		5.0
Liftover height	H195			--
Position of spare tire storage				In well under body at rear
Method of holding lid open				--

STATION WAGON - THIRD SEAT

Shoulder Room	W85			
Hip room	W86			NOT
Effective leg room	L86			
Effective head room	H86			APPLICABLE
Seat facing direction				

STATION WAGON - CARGO SPACE

Cargo length at floor - front seat	L202			
Cargo length at belt - front seat	L204			NOT
Cargo width - Wheelhouse	W201			
Opening width at belt	W204			APPLICABLE
Maximum cargo height	H201			
Rear opening height	H202			
Cargo volume index (cu. ft.) W4 x L204 x H201 1928	V2			

MAKE OF CAR CORVETTE MODEL YEAR 1973 DATE ISSUED 9/72 REVISED (a)

CAR AND BODY DIMENSIONS

See Pages 27, 28 for SAE Dimension Definitions

All dimensions to ground are for comparative purposes only. Dimensions are to be shown for:
4-Dr. Sedan, 2-Dr. H.T., 4-Dr. H.T., Convertible and Station Wagon.

MODEL	SAE Ref. No.	Sport Coupe		Convertible	
				Soft Top	Hard Top
WIDTH					
Track - Front	W101			58.7	
Track - Rear	W102			59.5	
Maximum overall car width	W103			69.0	
Body width at No. 2 pillar	W117			66.2	
Max. front doors open	W120			136.5	
Max. rear doors open	W121			--	
LENGTH					
Body "O" to front of dash	L 30			-1.7	
Wheelbase	L101			98.0	
Overall car length	L103			184.7	
Overhang - front	L104			42.8	
Overhang - rear	L105			43.9	
Body upper structure length	L123	57.2		59.8	61.3
Body "O" line to ϵ of rear wheel	L127			72.0	
Body "O" line to w/s cowl point	L130			16.5	
HEIGHT					
Passenger Distribution (front & rear)				2-0	
Trunk/Cargo load (lbs.)				--	
Overall height	H101	47.7			47.8
Cowl height	H114			36.3	
Deck height	H138				
Rocker panel - front	To ground			7.8	
	From front wheel ϵ	H112		21.0	
Bottom of front door to ground	H133			9.9	
Rocker panel - rear	To ground			7.5	
	From rear wheel ϵ	H111			
Bottom of rear door to ground	H135			--	
Windshield slope angle	H122			57.0	
GROUND CLEARANCE					
Bumper to ground - front	H102			12.2	
Bumper to ground - rear	H104			11.8	
Angle of approach	H106			15°1'	
Angle of departure	H107			18°10'	
Ramp breakover angle	H147			11°50'	
Rear axle differential to ground	H153			6.2	
Min. running clearance (Specify)	H156			4.3 (a)	

(a) Exhaust pipe at X-member.

AMA Specifications Form—Passenger Car

MAKE OF CAR CORVETTE MODEL YEAR 1973 DATE ISSUED 9/72 REVISED (*)

MODEL	Turbo-Fire 350	Turbo-Jet 454
	Standard RPO L82	RPO LS4

ENGINE - GENERAL

Type, no. cyls., valve arr.	90° OHV	
Bore and stroke (nominal)	4.00 x 3.48	4.251 x 4.00
Piston displacement, cu. in.	350	454
Bore spacing (¼ to ¼)	4.40	4.84
No. system	1-3-5-7	
(front to rear) L. Bank	2-4-6-8	
R. Bank		
Firing Order	1-8-4-3-6-5-7-2	
Cylinder Head Material	Cast alloy iron	
Cylinder Block Material	Cast alloy iron	
Cyl. Sleeve-Wet, dry, none	None	
Number of mtg. points	Two	
Front	One	
Rear	3°	
Engine installation angle		
Taxable $\frac{\text{Dia}^2 \times \text{No. Cyl.}}{\text{horsepower } 2.5}$	51.2	57.8
Recommended fuel regular - premium	Regular (unleaded or low lead)	
Cylinder Head Volume (cc)	75.47	113.06
Head Gasket Thickness (Compressed)	.021	.028
Head Gasket Volume (cc)	4.58	7.10
Deck Clearance (minimum) (above or below block)	.025 (below)	.020 (below)
Minimum Combustion Chamber Volume (cc)	74.47	112.06

ENGINE - PISTONS

Material	Cast alum. alloy	Alum. impact extruded	Cast alum. alloy
Description and finish	Sump head; slipper skirt	Flat head, notched; slipper skirt	Flat head; valve cutout
Weight (piston only) oz.	21.17	20.40	26.4
Clearance (limits)	Top land	.0235-.0325	.0350-.0410
	Skirt	Top	.0007-.0017 (a)
		Bottom	.0036-.0046 (a)
Ring groove diameter	No. 1 ring	3.546-3.556	3.770-3.780
	No. 2 ring	3.546-3.556	3.770-3.780
	No. 3 ring	3.582-3.592	3.803-3.813
	No. 4 ring		

- (a) Measured 1.56 from top of piston
- (b) Measured 1.65 from top of piston

AMA Specifications Form—Passenger Car Page 4

MAKE OF CAR CORVETTE MODEL YEAR 1973 DATE ISSUED 9/72 REVISED (6)

POWER TEAMS

(Indicate whether standard or optional)

Net bhp (brake horsepower) and net torque corrected to 85° F and 29.38 in. Hg atmospheric pressure.

MODEL AVAILABILITY	ENGINE					TRANSMISSION	AXLE RATIO ** (Std. first) (Indicate A/C ratio)		
	Displ. cu. in.	Cerb.	Compr. Ratio	Net @ RPM			A	B	
				BHP	Torque				
1YZ37 1YZ67	Turbo Fire 350V8 (base) 4-bbl	One;	8.5:1	190	270	4-Spd. Manual (2.52:1 low)	3.36	3.08	
				@	@				
					4400	2800	3-Spd. Automatic*	3.08	3.36
	Turbo Fire 350V8 (L82)* 4-bbl	One;	9.0:1	250	285	4-Spd. Manual (2.52:1 low)	3.55	3.70	
				@	@				
				5200	4000				4-Spd. Manual* (2.20:1 low)
							3-Spd. Automatic*	3.55	3.70
	Turbo Jet 454V8 (LS4)* 4-bbl	One;	8.25:1	275	395	4-Spd. Manual (2.52:1 low)	3.08	3.36	
				@	@				
				4400	2800				4-Spd. Manual* (2.20:1 low)
						3-Spd. Automatic*	3.08	3.36	

* - Optional

** - Positraction standard with all axle applications

A - Standard

B - Optional

- Air Conditioning available with all Transmission/Axle combinations except with 3.70 axle ratio.

AMA Specifications Form—Passenger Car

MAKE OF CAR CORVETTE MODEL YEAR 1973 DATE ISSUED 9/72 REVISED ^(a)

MODEL Standard V8-350 L82 V8-454
LS4

ENGINE - CRANKSHAFT

Material	Cast nodular iron		Forged steel (c)		
Vibration damper type	Rubber mounted inertia				
End thrust taken by bearing (No.)	5				
Crankshaft end play	.002-.007		.006-.010		
Main bearing	Material & type	Premium aluminum			
	Clearance	(a)		(b)	
	Journal die. and bearing overall length	No. 1	2.4502 x .752	2.7499 x .992	
		No. 2	2.4502 x .752	2.7504 x .992	
		No. 3	2.4502 x .752	2.7504 x .992	
		No. 4	2.4502 x .752	2.7504 x .992	
		No. 5	2.4508 x 1.180	2.7505 x 1.256	
	No. 6	None			
No. 7	None				
Dir. & amt. cyl. offset	None				
No. bolts/main brg. cap	10 & 5	16 & 5	10 & 5		
Crankpin journal diameter	2.099-2.100		2.199-2.200		

ENGINE - CAMSHAFT

Location	In block above crankshaft			
Material	Cast alloy iron			
Bearings	Material	Steel backed babbitt		
	Number	5		
Type of Drive	Gear or chain	Chain		
	Crankshaft gear or sprocket material	Steel sprocket		
	Camshaft gear or sprocket material	Nylon teeth with aluminum hub		
	Timing chain	No. of links	46	50
Width		.740	.740	
Pitch		.500	.500	

(a) No. 1 - .0008-.0020
 No. 2, 3 & 4 - .0011-.0023
 No. 5 - .0017-.0033

(b) No. 1 - .0007-.0019
 No. 2, 3 & 4 - .0013-.0025
 No. 5 - .0019-.0035

(c) Cast nodular iron with automatic transmission on LS4

AMA Specifications Form—Passenger Car

MAKE OF CAR CORVETTE MODEL YEAR 1973 DATE ISSUED 9/72 REVISED (e)

MODEL	Standard	V8-350	L82	V8-454
				LS4

ENGINE - RINGS

Function (top to bottom)	No. 1, oil or comp.	Compression		
	No. 2, oil or comp.	Compression		
	No. 3, oil or comp.	Oil		
	No. 4, oil or comp.	None		
Compression	Description - Upper material, coating, etc.	Cast alloy iron; barrel face (a)(e)		
	Lower	Cast alloy iron; inside bevel; tapered face (b)		
	Width	(c)	(d)	Upr & lwr .0070-.0775
	Gap	Upper .010-.020; lower .013-.025		.010-.020
Oil	Description - material, coating, etc.	Multi-piece (2 rails and 1 spacer expander) Rails - steel, chrome plated OD; Expander - stainless steel		
	Width	.1850 - .1870		.1855 - .1875
	Gap	.015 - .055		.010 - .030
Expanders		In oil ring assembly		

ENGINE - PISTON PINS

Material	Chromium steel			
Length	2.990-3.010		2.930-2.950	
Diameter	.9270-.9273		.9895-.9898	
Type	Locked in rod, in piston, floating, etc.	Locked in rod		
	Bush- ing	In rod or piston	None	
Clearance	In piston	.00015-.00025	.00045-.00055	.00040-.00050
	In rod			
Direction & amount offset in piston	Major thrust side .060	None	Major thrust side .060	

ENGINE - CONNECTING RODS

Material	Drop forged steel			
Weight (oz.)	20.80		27.80	
Length (center to center)	5.695-5.705		6.130-6.140	
Bearing	Material & Type	Premium aluminum		
	Overall length	.797		.847
	Clearance (limits)	.0013-.0035		.0009-.0025
	End play	.008-.014		.015-.023

- (a) Chrome plated on Standard V8-350 molybdenum inlay other engines
- (b) Wear resistant coating; chrome plated on L82
- (c) Upper .0775-.0780; lower .0770-.0780
- (d) Upper .0770-.0780; lower .0775-.0780
- (e) Also graphite impregnated on LS4

AMA Specifications Form—Passenger Car

MAKE OF CAR CORVETTE MODEL YEAR 1973 DATE ISSUED 9/72 REVISED (a)

MODEL	V8-350	V8-454
	Standard	L82 LS4

ENGINE - LUBRICATION SYSTEM

Type of lubrication (splash, pressure, nozzle)	Main bearings	Pressure
	Connecting rods	Pressure
	Piston pins	Splash
	Camshaft bearings	Pressure
	Tappets	Pressure
	Timing gear or chain	Centrifugally oiled from camshaft bearing
	Cylinder walls	Pressure jet cross sprayed
Oil pump type	Gear	
Normal oil pressure (lb. / engine rpm)	40 PSI @ 2000 RPM	
Oil press. sending unit (elect. or mech.)	Electric	
Type oil intake (floating, stationary)	Stationary	
Oil filter system (full flow, part., other)	Full flow	
Filter replacement (element, complete)	Complete	
Capacity of c/case, less filter-refill (qt.)	4	5
Oil grade recommended (SAE viscosity and temperature range)	20°F and above - 20W, 10W-30, 10W-40, 20W-40 0° to 60°F - 10W, 5W-30, 10W-40 Below 20°F - 5W, 5W-20, 5W-30	
Engine Service Reqmt. (MM, MS, etc.)	SE	

ENGINE - EXHAUST SYSTEM

Type (single, single with cross-over, dual, other)	Dual		
Muffler No. & type (reverse flow, straight thru, separate resonator)	Two, reverse flow		
Exhaust pipe dia. (O.D., wall thick.)	Branch	2.00 x .074	2.50 x .082
	Main	2.00 x .082 (a)	2.50 x .094 (a)
Tail pipe dia. (O.D. & wall thickness)	Chrome plated extension; 2.25 (at connection) x .048		

(a) Laminated

AMA Specifications Form—Passenger Car

MAKE OF CAR		CORVETTE		MODEL YEAR	1973	DATE ISSUED	9/72	REVISED (a)		
MODEL		Standard		V8-350	L82	V8-454		LS4		
ENGINE - VALVE SYSTEM										
Hydraulic lifters (Std., opt., NA)				Standard						
Valve rotator, type (intake, exhaust)				Exhaust			None			
Rocker ratio				1.50:1			1.70:1			
Operating tappet clearance (indicate hot or cold)		Intake		Zero						
		Exhaust		Zero						
Timing (based on top of ramp points)	Intake	Opens (°BTC)		28°	52°	55°				
		Closes (°ABC)		72°	114°	111°				
		Duration (deg.)		280°	346°	346°				
	Exhaust	Opens (°BBC)		78°	98°	105°				
		Closes (°A°C)		30°	62°	63°				
		Duration (deg.)		288°	340°	348°				
Valve open overlap (deg.)				58°	114°	118°				
Alloy steel (aluminized face & head on V8-454)										
Material										
Overall length				4.870-4.889		5.215-5.235				
Actual overall head dia.				1.935-1.945		2.017-2.023		2.060-2.070		
Angle of seat & face (deg.)				46° (seat) 45° (face)						
Seat insert material				None						
Stem diameter				.3410-.3417		.3715-.3722				
Stem to guide clearance				.0010-.0027						
Lift (— zero lash)				.3900		.4500		.4400		
Intake	Outer spring press. & length	Valve closed (lb. in.)		76-84 @ 1.70			74-86 @ 1.88			
		Valve open (lb. in.)		194-206 @ 1.25			288-312 @ 1.38			
	Inner spring press. & length	Valve closed (lb. in.)		Spring damper						
		Valve open (lb. in.)		Spring damper						
	High alloy steel, aluminized face (a)									
	Material									
Overall length				4.913-4.933		4.891-4.910		5.345-5.365		
Actual overall head dia.				1.495-1.505		1.595-1.605		1.715-1.725		
Angle of seat & face (deg.)				46° (seat) 45° (face)						
Seat insert material				None						
Stem diameter				.3410-.3417		.3713-.3720				
Stem to guide clearance				.0010-.0027						
Lift (— zero lash)				.4100		.4600		.4400		
Exhaust	Outer spring press. & length	Valve closed (lb. in.)		76-84 @ 1.61		76-84 @ 1.70		74-86 @ 1.88		
		Valve open (lb. in.)		194-206 @ 1.16		194-206 @ 1.25		288-312 @ 1.38		
	Inner spring press. & length	Valve closed (lb. in.)		Spring damper						
		Valve open (lb. in.)		Spring damper						

(a) Head also aluminized on V8-454

AMA Specifications Form—Passenger Car

MAKE OF CAR CORVETTE MODEL YEAR 1973 DATE ISSUED 9/72 REVISED (a)

	V8-350	V8-454
MODEL	Standard	L82
		LS4

ENGINE - COOLING SYSTEM

Type system (pressure, pressure vented, atmospheric, other)		Pressure-vented thru coolant recovery system		
Radiator cap relief valve pressure		15 ± 1 PSI		
Circulation thermostat	Type (choke, bypass)	Choke		
	Starts to open at (°F)	192°-198°	177°-183°	
Water pump	Type (centrifugal, other)	Centrifugal		
	GPM pump rpm	26.0 @ 1900	24.3 @ 1900	
	Number of pumps	One		
	Drive (V-belt, other)	V-belt		
Bearing type		Permanently lubricated double row ball		
By-pass recirculation type (inter., ext.)		Internal	External	
Radiator core type (cellular, tube and fin, other)		Tube and center Copper-brass crossflow		
Cooling system capacity	With heater (qt.)	19	24	
	Without heater (qt.)	18	23	
	Opt. equipment-specify (qt.)	19	25	
Water jackets full length of cyl. (yes, no)		Yes		
Water all around cylinder (yes, no)		Yes		
Radiator hose	Lower	Number and type (molded, straight)	1. 75	1. 88
		Inside diameter	One, molded	
	Upper	Number and type (molded, straight)	1. 50	
		Inside diameter	One, molded	
	By-pass	Number and type (molded, straight)	None	One, molded
		Inside diameter	None	. 725-. 765
Fan	Number of blades & spacing		5 - staggered	
	Diameter		17. 50	
	Ratio-fan to crankshaft rev.		1. 15:1	1. 23:1
	Fan cutout type		Thermo-modulated viscous - clutch	
Bearing type		Double row ball		
*Drive belts (indicate belt used by letter)	Fan	AB	FG	
	Generator or alternator	A	F	
	Water Pump	AB	FG	
	Power Steering	C	H	
	Air Conditioning	D	I	
Air Injection*		E	J	

* Drive Belt Dimensions	A	B	C	D	E	F	G	H	I	J	K
Angle of V	← 38°-42° →										
Nominal length (SAE)	52. 75	32. 46	43. 50	58. 00	32. 50	54. 00	31. 86	43. 50	45. 75	30. 50	
Width	← . 380 →										

AMA Specifications Form—Passenger Car

MAKE OF CAR CORVETTE MODEL YEAR 1973 DATE ISSUED 9/72 REVISED (a)

MODEL Standard V8-350 L82 V8-454 LS4

ENGINE - FUEL SYSTEM

(See supplemental page for Details of Fuel Injection, Supercharger, etc. if used)

Induction type: Carburetor, fuel injection, supercharger.		Carburetor			
Fuel Tank	Refill capacity (U.S. gals.)	18 approximately			
	Filler location	Center of rear deck			
Fuel Pump	Type (elec. or mech.)	Mechanical			
	Locations	Lower right front of engine			
	Pressure range *	7.50-9.00 PSI			
Vacuum booster (std., optional, none)		None			
Fuel Filter	Type	Fine mesh plastic strainer in gas tank			
	Locations	and paper filter element in carburetor inlet			
Carburetor	Choke type	Automatic			
	Intake manifold heat control (exhaust or water)	Exhaust			
	Air cleaner type	Oil wetted paper element			
	Idle speed (spec. neutral or drive)	Manual	900	900	900
		Automatic	600	700	600
Idle A/F mix.	Not specified				

CARBURETOR SUPPLEMENTARY INFORMATION

Model Usage	Engine Displ.	Transmission	Carburetors		No. Used and Type	Barrel Size
			Make	Model		
	350 Std.	Manual	Rochester	7043203 (7043202)	One; 4-bbl	1. 38 Prim 2. 25 Sec
		Automatic		7043503 (7053502)		
	350 L82	Manual	Rochester	7043213 (7043513)	One; 4-bbl	1. 38 Prim 2. 25 Sec
		Automatic		7043212 (7043512)		
	454 LS4	Manual	Rochester	7043201 (7043501)	One; 4-bbl	1. 38 Prim 2. 25 Sec
		Automatic		7043200 (7043500)		

* Shut off pressure - 1800 RPM at pump outlet

NOTE: Items bracketed () are used in engines required for California

AMA Specifications Form—Passenger Car

MAKE OF CAR CORVETTE MODEL YEAR 1973 DATE ISSUED 9/72 REVISED ^(*)

MODEL Standard V8-350 L82 V8-454 LS4

ELECTRICAL – SUPPLY SYSTEM

Battery	Make and Model		Delco-Remy 1980147		Delco-Remy 1980150			
	Voltage Rtg. & Total Plates		12 volts - 78 plates		12 volts - 90 plates			
	Cranking power		3250 watts @ 0°F		3750 watts @ 0°F			
	Location		Behind drivers seat in storage compartment					
Generator or Alternator	Terminal grounded		Negative					
	Make		Delco-Remy					
	Model		1100950					
	Type and rating		Diode rectified with integral regulator - 42 amps.					
	Output at engine idle (neutral)		13 amps.					
Regulator	Ratio-Gen. to Cr/s rev.		2.53:1		2.15:1		2.53:1	
	Make		Delco-Remy					
	Model		--					
	Type		Micro circuit unit; integral with generator					
	Cutout relay	Closing voltage @ generator rpm	None					
		Reverse current to open	None					
	Regulated	Voltage	13.8-14.8 @ 85°F					
		Current	--					
	Voltage test conditions	Temperature	Operating					
		Load	3-8 amperes					
Other		None						

ELECTRICAL – STARTING SYSTEM

Starting Motor	Make		Delco-Remy				
	Model		1108418		1108400		
	Rotation (drive end view)		Clockwise				
Motor control	Switch (solenoid, manual)		Solenoid				
	Starting procedure		Manual - place gearshift in neutral and depress clutch Automatic - place control lever in "N" or "P" position Initial start - press accelerator to floor and release. Turn ignition to START, release as soon as engine starts				
	Engagement type		Positive shift solenoid				
Motor Drive	Pinion meshes (front, rear)		Rear				
	Number of teeth	Pinion	9		9		
		Flywheel	Manual	153		168	
			Auto.	153		168	
	Flywheel tooth face width	Manual	.4010-.4130		.4100-.4220		
Auto.		.4010-.4130		.4100-.4220			

AMA Specifications Form—Passenger Car

MAKE OF CAR CORVETTE MODEL YEAR 1973 DATE ISSUED 9/72 REVISED (a)

MODEL _____

VEHICLE EMISSION CONTROL

Exhaust Emission Control	Type (/air injection, engine modifications, other)		Air injection
	Air Injection Pump	Type	Semi-articulated vane type
		Displacement	19.3 cubic inch
		Drive ratio	1.15:1
		Drive type	Crankshaft pulley
		Relief valve (type)	Diverter valve
		Filter (describe)	Centrifugal air cleaner
	Air Injection System	Air distribution (head, manifold, etc.)	Manifold
		Point of entry	Exhaust ports
		Injection tube i.d.	.2565
Check valve type		Pressure plate type	
	Backfire protection (type)	Diverter valve	
Crankcase Emission Control	Type (ventilates to atmos., induction system, other)	Standard	Induction system
		Optional	--
	Control Unit	Make and model	AC Spark Plug - 6484541
		Location	Left front of rocker cover
		Energy source (manifold vacuum, carburetor, other)	Manifold vacuum
		Control method (variable orifice, fixed orifice, other)	Variable orifice
	Complete system	Discharges (to intake manifold, other)	Intake manifold
		Air inlet (breather cap, other)	Carburetor air cleaner
		Flame arrestor (screen, other)	Screen
	Evaporative Emission Control	Fuel	Refill Capacity (U.S. gallons)
Thermal expansion volume (cu. ft.)			Approximately 10% of refill capacity
Tank		Pressure relief location (lbs.)	1.1 PSI
		Vacuum relief location (lbs.)	3 PSI
		Vapor-liquid separator type	Vapor vent pipe
		Vapor vented to (crankcase, canister, other)	Canister
Carbu- retor		Vapor vented to (crankcase, canister, other)	No vents
			--
		Vapor	Canister
Storage		Storage provision (crankcase, canister, other)	--
	Volume (cu. ft.) or capacity (grams)	Approximately 50 grams storage capacity	
	Control valve	Vacuum controlled staged purge valve	

AMA Specifications Form - Passenger Car

MAKE OF CAR CORVETTE MODEL YEAR 1973 DATE ISSUED 9/72 REVISED (w)
 MODEL Standard V8-350 L82 V8-454 LS4

ELECTRICAL - IGNITION SYSTEM

Type	Conventional - Std., Opt., N.A.	Standard
	Transistorized - Std., Opt., N.A.	Not Available
	Other (specify)	None
Coil	Make	Delco-Remy
	Model	1115270 1115287
	Amps	4.0 1.8
Spark Plug	Make	AC Spark Plug
	Model	AC R44T
	Thread (mm)	14
	Tightening torque (lb. ft.)	15
	Gap	.033-.038
Cable	Conductor type	Linen core impregnated with electrical conducting material
	Insulation type	Rubber with neoprene jacket
	Spark plug protector	Neoprene

ELECTRICAL - SUPPRESSION

Locations & type	
------------------	--

ELECTRICAL - INSTRUMENTS AND EQUIPMENT

Speedometer	Type	Circular dial with pointer
	Trip odometer (std. opt., N.A.)	Standard
Charge indicator - type		Ammeter
Temperature indicator - type		Electric gage
Oil pressure indicator - type		Bourdon tube gage
Fuel indicator - type		Electric gage
Windshield wiper	Type - Standard	Electric, two-speed
	Type - Optional	None
Windshield washer	Type - Standard	Push-button
	Type - Optional	None
Horn	Type	Vibrator
	Number used	One
	Amp draw (each)	4.5-6.5 @ 12.5 V (low note)
Other	Mechanical tachometer; Anti-theft alarm; parking brake warning light and brake failure warning light	

AMA Specifications Form—Passenger Car

MAKE OF CAR CORVETTE MODEL YEAR 1973 DATE ISSUED 9/72 REVISED (6)

MODEL Standard V8-350 L82 V8-454 LS4

ELECTRICAL - IGNITION SYSTEM - DISTRIBUTOR

Breaker gap (in.)		.019		
Cam angle (deg.)		29-31		28-30
Brkr. arm tension (oz.)		19-23		28-32
Distributor	Manual	1112098	1112150	1112114
	Automatic	1112098	1112150	1112114
Timing	Manual	12° BTC @ 900	8° BTC @ 900	10° BTC @ 900
	Automatic	12° BTC @ 600	8° BTC @ 700	10° BTC @ 600

Distributor Model	CENTRIFUGAL ADVANCE Crankshaft Degrees at Engine RPM			VACUUM ADVANCE Crankshaft Deg. at In. of Mercury	
	Start	Intermediate	Max.	Start	Max.
1112098	1200	--	14 @ 4200	6.00	15 @ 13.5
1112114	1100	11 @ 2400	18 @ 4200	8.00	20 @ 17
1112150	1200	16 @ 2200	24 @ 5000	8.00	15 @ 15.5

AMA Specifications Form—Passenger Car

MAKE OF CAR CORVETTE MODEL YEAR 1973 DATE ISSUED _____ REVISED (a) _____

MODEL _____

DRIVE UNITS—AUTOMATIC TRANSMISSION

Trade name		Turbo Hydra-Matic
Type describe		Torque converter with planetary gear set
Selector location		Lever (floor mounted)
List gear ratios Selector Pattern and indicate which are used in each selector position		P-Park R-2.08 N-Neutral 3-2.48-1.48-1.00 2-2.48-1.48 1-2.48
Max. upshift speed—drive range		
Max. kickdown speed—drive range		
Torque converter	Number of elements	3
	Max. ratio at stall	2.10
	Type of cooling (air, liquid)	Water
	Nominal diameter	12.20
Lubricant	Capacity—refill (pt.)	8
	Type recommended	A suffix A
Special transmission features		

DRIVE UNITS—PROPELLER SHAFT

Number used		One
Type (straight tube, tube-in-tube, internal-external damper, etc.)		Straight tube
Outer diam. x length* x wall thickness	Manual 3-speed trans.	Not available
	Manual 4-speed trans.	2.00 x 29.90 x 0.120
	Overdrive transmission	Not available
	Automatic transmission	2.00 x 29.50 x 0.095

* Center to center of universal joints, or to centerline of rear attachment.

(Continued)

AMA Specifications Form—Passenger Car

MAKE OF CAR CORVETTE MODEL YEAR 1973 DATE ISSUED 9/72 REVISED ^(a)

MODEL _____

DRIVE UNITS - CLUTCH (Manual Transmission)

		V8-350 and V8-454
Make & type		Chevrolet, single dry-disc semi-centrifugal
Type pressure plate springs		Circular plate diaphragm, bent finger design
Total spring load (lb.)		2450 - 2750
No. of clutch driven discs		One
Clutch facing	Material	Woven type asbestos
	Outside & inside dia.	11.00 x 6.50
	Total eff. area (sq.in.)	123.70
	Thickness	.140
Engagement cushioning method		Flat spring steel between friction rings
Release bearing	Type & method of lubrication	Single row ball, packed and sealed
Torsional damping	Methods: springs, friction material	Coil springs

DRIVE UNITS - TRANSMISSIONS

Manual 3-speed (std., opt. N.A.)	Not available
Manual 4-speed (std., opt. N.A.)	Standard
Automatic (std., opt. N.A.)	Optional

DRIVE UNITS - MANUAL TRANS.

Number of forward speeds		4-Speed (a)	4-Speed (b)	
Transmission ratios	In first	2.52:1	2.20:1	
	In second	1.88:1	1.64:1	
	In third	1.46:1	1.27:1	
	In fourth	1.00:1	1.00:1	
	In reverse	2.59:1	2.26:1	
Synchronous meshing, specify gears		All forward gears		
Shift lever location		Floor mounted with console		
Lubricant	Capacity (qt.)	3		
	Type recommended	Meeting Military Specs. MIL-L-2105B		
	SAE viscosity number	Summer	SAE 80	
		Winter	SAE 80	
Extreme cold		SAE 80		

(a) Available all engine combinations

(b) Available all engine combinations except V8-350 (Std.)

AMA Specifications Form—Passenger Car

MAKE OF CAR CORVETTE MODEL YEAR 1973 DATE ISSUED 9/72 REVISED ^(*)

MODEL _____

DRIVE UNITS — TIRES AND WHEELS (STANDARD)

TIRES	Size, load range, ply		GR70 x 15B (2+2)
	Type (bias, radial, etc.)		Steel belted radial
	Normal max. load inflation pressure (cold)	Front **	20
		Rear **	20
Rev./mile @ 45 mph		760	
WHEELS	Type & material		Short spoke spider; steel
	Rim (size & flange type)		15 x 8
	Attachment	Type (bolt or stud)	Stud
		Circle diameter	4.75
		Number & size	5 hex nuts 7/16-20 UNF 2-B
Spare wheel (same or other)		Same	

DRIVE UNITS — TIRES AND WHEELS (OPTIONAL)

Size, load range, ply		Same as above
Type (bias, radial, etc.)		but available
Normal max. load inflation pressure (cold)	Front	in white stripe and/or white lettering
	Rear	
Rev./mile @ 45 mph		
Wheel type & material		
Rim (size & flange type)		

DRIVE UNITS — TIRES AND WHEELS (OPTIONAL)

Size, load range, ply		
Type (bias, radial, etc.)		
Normal max. load inflation pressure (cold)	Front	
	Rear	
Rev./mile @ 45 mph		
Wheel type & material		
Rim (size & flange type)		

BRAKES — PARKING

Type of control		Grip handle control
Location of control		In floor console between seats
Operates on		Rear wheels
If separate from service brakes	Type (internal or external)	Internal
	Drum diameter	6.50
	Lining size (length x width x thickness)	6.78 x 1.25 x 0.175

** Full rated pressures shown - selected tire pressures are contingent on weight of vehicle

AMA Specifications Form—Passenger Car

MAKE OF CAR CORVETTE MODEL YEAR 1973 DATE ISSUED 9/72 REVISED (*)

MODEL _____

DRIVE UNITS – PROPELLER SHAFT (cont.)

Inter-mediate bearing	Type (plain, anti-friction)	None
	Lubrication (fitting, prepack)	--
Slip Yoke	Type	Yoke
	Number of teeth	27
	Spline O.D.	1.1750
Universal joints	Make and Mfg. No.	Chevrolet
	Number used	Two
	Type (ball and trunnion, cross)	Cross
	Rear attach. (u-bolt, clamp, etc.)	U-bolt
	Bearing	Type (plain, anti-friction)
Lubric. (fitting, prepack)		Pre-pack
Drive taken through (torque tube or arms, springs)		Torque control arms
Torque taken through (torque tube or arms, springs)		Torque control arms

DRIVE UNITS – AXLE

Type (front, rear)	Rear		
Description	Overhung pinion gear		
Limited Slip differential, type	Disc clutches		
Drive Pinion Offset	1.50		
No. of differential pinions	Two		
Pinion adjustment (shim, other)	None		
Pinion bearing adj. (shim, other)	Shim		
Wheel bearing type	Taper roller		
Lubricant	Capacity (qt.)	4.0	
	Type recommended	Meeting Military Specs MIL-L-2105-B	
	SAE viscosity number	Summer	SAE 80
		Winter	SAE 80
		Extreme cold	SAE 80

AXLE RATIO TOOTH COMBINATIONS

(See page 4 for axle ratio usage)

Axle ratio	3.08	3.36	3.55	3.70	
No. of teeth	Pinion	12	11	9	10
	Ring gear	37	37	32	37
Ring Gear O.D.	8.375				

AMA Specifications Form—Passenger Car

MAKE OF CAR CORVETTE MODEL YEAR 1973 DATE ISSUED 9/72 REVISED (a)

MODEL _____

STEERING

Manual (std., opt., NA)		Standard-energy absorbing steering column	
Power (std., opt., NA)		Optional	
Adjustable steering wheel (tilt, swing, other)	Type and description	Tilt and telescopic steering wheel; 3" adjustment	
	(std., opt., NA)	Optional	
Wheel diameter	Manual	15.0	
	Power	15.0	
Turning diameter (feet)	Outside front	Wall to wall (l. & r.)	38.6
		Curb to curb (l. & r.)	37.0
	Inside rear	Wall to wall (l. & r.)	--
		Curb to curb (l. & r.)	--
Manual	Gear	Type	Semi-reversible, recirculating ball nut
		Make	Saginaw Steering
	Ratios	Gear	16.0:1
		Overall	20.2:1 Standard; 17.6:1 -Fast Stg.
	No. wheel turns (stop to stop)		3.4 - Standard; 2.92 - Fast Stg.
Power	Type (coaxial, linkage, etc.)		Linkage, power pump assisted
	Make		Saginaw Steering
	Gear	Type	Same as manual
		Ratios	Gear
	Overall		17.6:1
	Pump driven by		Crankshaft pulley
No. wheel turns (stop to stop)		2.92	
Linkage	Type		Parallelogram
	Location (front or rear of wheels, other)		Rear
	Drag link (trans. or longit.)		None
	Tie rods (one or two)		Two
Steering Axis	Inclination or camber (deg.)		7.68 @ .5°
	Bearings (type)	Upper	Ball stud with non-metallic bearing surface
		Lower	Ball stud with non-metallic bearing surface
		Thrust	None
Whl. Align. (range at curb wt. & preferred)	Caster (deg.)		Standard; P1°30'±30'; Power steering; P2°45'±30'
	Camber (deg.)		P45'±30' (a)
	Toe-in (outside track inches)		1/16 ± 1/32 (a)
Steering spindle & joint type		Steering knuckle with spherical joint	
Wheel Spindle	Diameter	Inner bearing	1.37455 ± .00025
		Outer bearing	0.84305 ± .00025
	Thread size		27/32-20 NEF-3 (modified)
	Bearing type		Taper roller

(a) Rear wheel alignment: Camber $N1-1/2^\circ \pm 1/4^\circ$

Toe-in $3/32 \pm 1/32$

AMA Specifications Form—Passenger Car

MAKE OF CAR CORVETTE MODEL YEAR 1973 DATE ISSUED 9/72 REVISED (e)

MODEL
BRAKES—SERVICE

Type (drum) or (disc & no. of pistons)		Caliper disc, 4 per wheel, hydraulic		
Self adjusting (std., opt., N.A.)		Standard		
Special Valving	Type (proportion, delay, metering, other)	Metering		
Power brake make & type (remote, int., etc.)	Std. Opt.	--		
		Delco Moraine, vacuum power unit, integral		
Effective area (sq. in.) *		74.9		
Gross lining area (sq. in.) **		86.3		
Swept area (sq. in.) ***		639.4		
Effectiveness				
		Front		
		Rear		
Drum	Diameter (nominal)	Front	--	
		Rear	--	
	Type and material	--		
Rotor	Outer working diameter		11.75	
	Inner working diameter		8.0	
	Thickness		1.25	
	Material & type (vented/solid)		Cast iron, vented	
Wheel cylinder bore	Front	1.875		
	Rear	1.375		
Master Cylinder	Bore	1.00 production; (1.125 w/power brakes)		
	Stroke	1.10 production; (1.14 w/power brakes)		
Pedal arc ratio		5.23 (3.51 with power brake)		
Line pressure at 100 lb. pedal load		576		
Shoe Clearance	Front	Self-adjusting		
	Rear	Self-adjusting		
Anti-skid device type (std., opt., N.A.)		Not available		
Brake lining	Bonded or riveted		Riveted	
	Front Wheel	Material	Molded asbestos	
		Size (length x width x thickness)	Prim. or out-board	5.96 x 2.21 x 0.41
			Second. or in-board	5.96 x 2.21 x 0.41
		Segments per shoe		One
	Rear Wheel	Material	Molded asbestos	
		Size (length x width x thickness)	Prim. or out-board	5.96 x 2.21 x 0.41
			Second. or in-board	5.96 x 2.21 x 0.41
Segments per shoe		One		

* Excludes rivet holes, grooves, chamfers, etc. ** Includes rivet holes, grooves, chamfers, etc.
 *** Total swept area for four brakes. (Widest lining contact width for each brake x its contact circumference.)

AMA Specifications Form—Passenger Car

MAKE OF CAR CORVETTE MODEL YEAR 1973 DATE ISSUED 9/72 REVISED ^(a)

MODEL 1YZ37 1YZ67
 FRAME

Type and description (Separate frame, unitized frame, partially - unitized frame)
All welded, full length, ladder constructed frame with (5) crossmembers

BODY - MISCELLANEOUS INFORMATION

Drs. hinged (front, rr.)	Front doors	Front
	Rear doors	--
Type of finish (lacquer, enamel, other)		Lacquer
Hood counterbalanced (yes, no)		No
Hood release control (internal, external)		Internal
Vehicle indent. No. location		Left hand windshield pillar
Engine No. location		Front right side of cylinder block
Theft protection - type		Lock mounted on steering column; locks steering wheel transmission shift lever and ignition, anti-theft
Vent window control method (crank, friction pivot)	Front	None
	Rear	--
Seat cushion type	Front	Bucket, polyurethane padding
	Rear	--
	3rd seat	--
Seat back type	Front	Bucket, polyurethane padding
	Rear	--
	3rd seat	--
Windshield glass type (i.e., single curved - laminated plate)		Curved - laminated plate - tinted
Side glass type (i.e., curved - tempered plate)		Curved - tempered plate - tinted
Backlight glass type (i.e., compound curved - tempered plate, three piece)	Flat, tempered plate, tinted	Vinyl plastic (soft top) curve tempered plate (aux. H. T.)
Windshield glass exposed surface area		977.4
Side glass exposed surface area		800.8
Backlight glass exposed surface area	392.5	418.0 (a)
Total glass exposed surface area	2170.7	2196.2

(a) Removable auxiliary hardtop - 2398.3

AMA Specifications Form—Passenger Car

MAKE OF CAR CORVETTE MODEL YEAR 1973 DATE ISSUED 9/72 REVISED (a)

MODEL _____

SUSPENSION – GENERAL

(See Supplement page for details on Air Suspension)

Provision for car leveling	Front stabilizer shaft
Provision for brake dip control	Mounting angle of front upper control arm
Provision for occ. squat control	None
Special provisions for car jacking	Front: 5" forward of front door opening, under frame Rear: 3" forward of wheel opening, under frame
Shock absorber front & rear	Type Make Piston dia.
	Direct double acting hydraulic Delco 1.00
Other special features	

SUSPENSION – FRONT

Type and description	Independent: SLA with coil springs and concentric shock absorber, and spherically jointed steering knuckle for each wheel	
Spring	Type Material Size (coil design height & I.D.; bar length x dia.) Spring rate (lb. per in.) Rate at wheel (lb. per in.)	
	Coil Steel alloy 10.27 x 3.80; 130.84 x 0.606 260 (c) 97.5 (c)	
	Stabilizer	Type (link, linkless, frameless) Material & bar diameter
	Link 350 CID engine: 0.75; 454 CID engine: 0.9375	

SUSPENSION – REAR

Type and description	(a)	
Drive and torque taken through	Torque control arms	
Spring	Type Material Size (length x width, coil design height & I.D.; bar length & dia.) Spring rate (lb. per in.) Rate at wheel (lb. per in.) Mounting insulation type If leaf No. of leaves Shackle (comp. or tens.)	
	Multi-leaf Chrome carbon steel 48.60 x 2.25 170 (c) 134.4 (c) Rubber mounted at differential, vertical loading only at shackle Nine Tension	
	*Stabilizer	Type (link, linkless, frameless) Material & bar diameter
	Link HR steel 0.5625	
	Track bar type	None

(a) Full independent with fixed differential, transverse multi-leaf spring, lateral struts and universally jointed axle shafts.

(b) With V8-454 optional engine

(c) For base equipped model, springs are computer selected by size and rate according to vehicle weight including optional equipment.

AMA Specifications Form—Passenger Car

Page 24

MAKE OF CAR CORVETTE MODEL YEAR 1973 DATE ISSUED 9/72 REVISED (e)

MODEL _____

CONVENIENCE EQUIPMENT

(Indicate whether standard, optional or NA on each series)

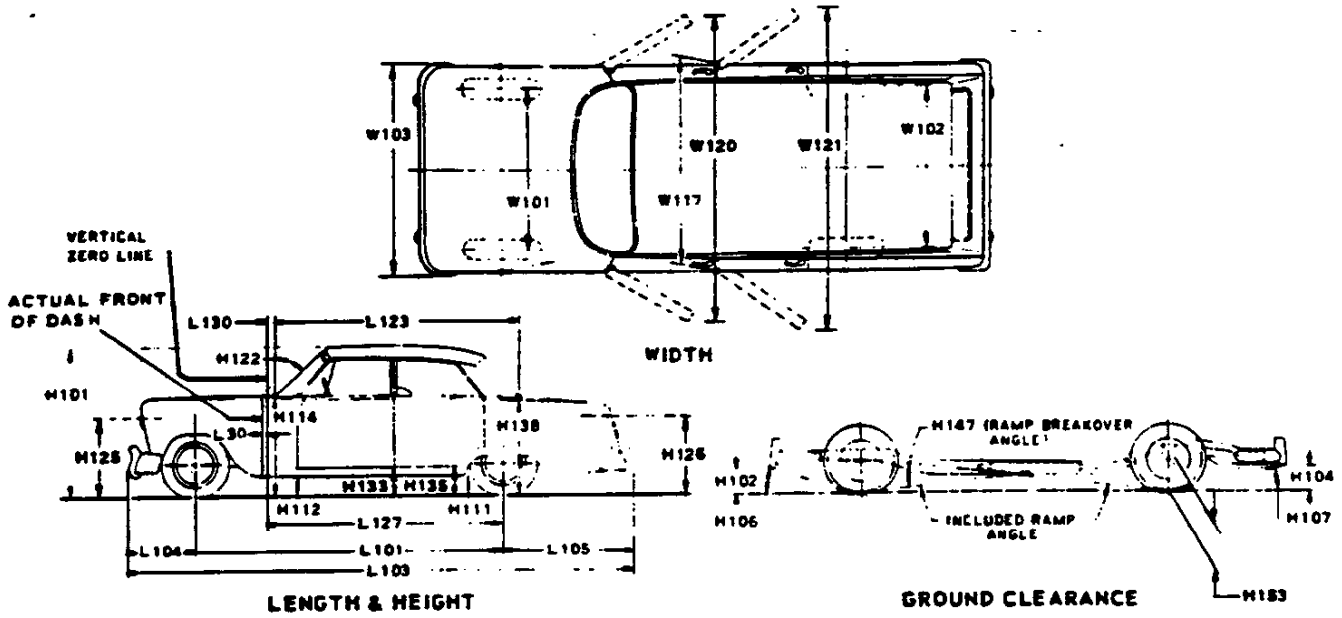
Power windows	Side windows	Optional
	Vent windows	NA
	Backlight or tailgate	NA
Power seats (specify type as well as availability)		NA
Reclining front seat back (R-L or both)		NA
Front seat head restrainer (R-L or both)		Standard-integral
Radios (specify type as well as availability)		Optional - AM-FM Push-button, AM-FM Stereo
Rear seat speaker		NA
Power antenna		NA
Clock		Standard
Air conditioner (specify type and availability)		Optional - Four-season (manual control)
Speed warning device		NA
Speed control device		NA
Ignition lock lamp		NA
Dome lamp		Standard Coupes, NA - Convertible
Glove compartment lamp		Standard
Luggage compartment lamp		Standard
Underhood lamp		NA
Courtesy lamp		Standard
Inside rear view mirror with map light		Optional
Auto. trans. quad. lamp		NA
Cornering light lamp		NA
Rear window defroster electrically heated		NA
Rear window defogger		Optional

LAMP HEIGHT AND SPACING

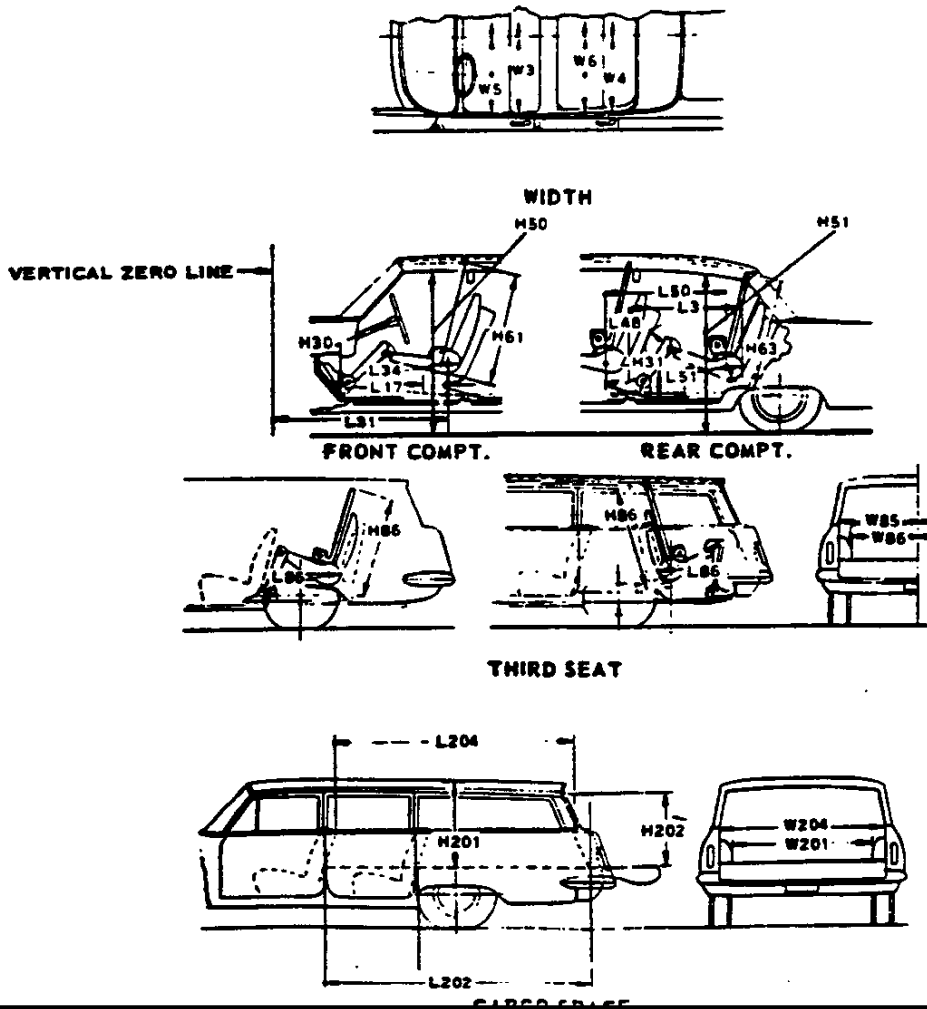
Height above ground to center of bulb or marker	Headlamp (H125)	Highest *	27.79
		Lowest	22.45
	Tail (H126)	Highest	27.20
		Lowest	22.22
	Sidemarker	Front	18.0
		Rear	19.0
Distance from C/L of car to center of bulb	Headlamp	Inside	11.3
		Outside *	18.0
	Tail	Inside	13.95
		Outside	21.22
	Directional	Front	22.52
		Rear	21.22

* If single headlamps are used enter here.

CAR AND BODY DIMENSIONS KEY SHEET EXTERIOR CAR AND BODY DIMENSIONS



INTERIOR CAR AND BODY DIMENSIONS



**INTERIOR CAR AND BODY DIMENSIONS
KEY SHEET
DIMENSION DEFINITIONS**

FRONT COMPARTMENT DIMENSIONS

- L31** H POINT TO VERTICAL ZERO LINE - FRONT is a horizontal dimension.
- M61** EFFECTIVE HEAD ROOM - FRONT. The dimension from H Point to the headlining, plus a constant of 4.0 inches, measured along a line 8° to rear of vertical.
- L34** MAXIMUM EFFECTIVE LEG ROOM-ACCELERATOR. Measured along a diagonal line from the Manikin ankle pivot center to the H Point plus a constant of 10.0 inches. For treadle type accelerator pedals, the leg room is measured with the Manikin's right foot on the accelerator pedal and the Manikin Heel Point at Accelerator Heel Point. All other types of accelerator pedals will be measured with the Manikin foot angle set at 87° and the shoe touching the pedal.
- H30** H POINT TO HEEL POINT - FRONT. The vertical dimension from the H Point to the Accelerator Heel Point.
- L17** H POINT TRAVEL. The horizontal dimension between the H Point in the most forward and rearward seat positions.
- W3** SHOULDER ROOM - FRONT. The minimum lateral dimensions between the door garnish moldings or nearest interference, measured at the H Point station.
- W5** HIP ROOM - FRONT. The lateral dimension through the H Point to trimmed body surfaces. Depress loose side wall cloth to trim foundation or other obstruction if such construction exists.
- H50** UPPER BODY OPENING TO GROUND - FRONT. The vertical dimension from a point on the trimmed body opening to the ground, measured at the H Point station.
- REAR COMPARTMENT DIMENSIONS**
- L50** H POINT COUPLE DISTANCE. The horizontal dimension from the front seat H Point to the rear seat H Point.
- M63** EFFECTIVE HEAD ROOM - REAR. The dimension from the H Point to the headlining, plus a constant of 4.0 inches, measured along a line 8° to rear of vertical.
- L51** MINIMUM EFFECTIVE LEG ROOM - REAR. Measured along a diagonal line from the ankle pivot center to the H Point plus a constant of 10.0 inches, with the foot positioned to the nearest interference between the seat structure and top, instep or lower leg.
- H31** H POINT TO HEEL POINT - REAR. The vertical dimension from the H Point to the Manikin Heel Point on the depressed floor covering.
- L48** MINIMUM KNEE ROOM - REAR. The minimum dimension from the Manikin knee pivot center to the back of the front seat back.
- L3** REAR COMPARTMENT ROOM. The horizontal dimension from the back of front seat to front of rear seat back at height tangent to the top of rear seat cushion.
- W4** SHOULDER ROOM - REAR. The minimum lateral dimension between the door garnish molding or nearest interference. Measured at H Point station.
- W6** HIP ROOM - REAR. The lateral dimension through H Point to trimmed body surfaces. Depress loose side wall cloth to trim foundation or other obstruction when such construction exists.
- H51** UPPER BODY OPENING TO GROUND - REAR. The vertical dimension from a point on the trimmed body opening to the ground, measured 13.0 inches forward of the H Point.

LUGGAGE COMPARTMENT DIMENSIONS

- V1** LUGGAGE CAPACITY - USABLE. The total luggage compartment luggage capacity in cubic feet with the tire and tools in place.
- M195** LIFTOVER HEIGHT. Vertical dimension from the highest point on the luggage compartment lower opening to ground, excluding corner radii.

STATION WAGON - THIRD SEAT DIMENSIONS

- W85** SHOULDER ROOM - THIRD SEAT. The minimum lateral dimension between the door garnish moldings or nearest interference. Measured at H Point station.
- W86** HIP ROOM - THIRD SEAT. The lateral dimension through H Point to trimmed surfaces.
- L86** EFFECTIVE LEG ROOM - THIRD SEAT. Measured along a diagonal line from ankle pivot center to H Point plus a constant of 10.0 inches. With rear-facing third seat, foot is positioned in foot well or to nearest interference with rear end or rear closure.
- M86** EFFECTIVE HEAD ROOM - THIRD SEAT. The dimension from H Point to the headlining, plus a constant of 4.0 inches. Measured along a line 8° to rear of vertical.

STATION WAGON - CARGO SPACE DIMENSIONS

- L202** CARGO LENGTH AT FLOOR - FRONT SEAT. The horizontal dimension, measured at the floor level from the rear of the front seat back to the normal inside limiting interference on the tailgate, on the car centerline.
- L204** CARGO LENGTH AT BELT - FRONT SEAT. The horizontal dimension measured from the top rear of front seat back to a vertical extension line from the normal inside limiting interference at the top of the tailgate, on the car centerline.
- W201** CARGO WIDTH - WHEELHOUSE. The minimum horizontal dimension, measured between wheel housings at floor level.
- W204** OPENING WIDTH AT BELT. The minimum horizontal dimension, measured between the nearest normal inside limiting interferences of the rear opening at the top of the tailgate.
- M201** MAXIMUM CARGO HEIGHT. The maximum vertical dimension, measured from the top of the floor covering to the headlining, on the car centerline.
- M202** REAR OPENING HEIGHT. The vertical dimension measured from the top of the floor covering to the normal inside limiting interference at the top of the rear opening, on the car centerline, with both tail-and liftgates fully open.
- V2** CARGO VOLUME INDEX BEHIND FRONT SEAT. The total volume in cubic feet above the normal load floor and behind the front seat with the liftgate and tailgate closed.

-W4xL204xM201

1728

EXTERIOR CAR AND BODY DIMENSIONS
KEY SHEET
DIMENSION DEFINITIONS

WIDTH DIMENSIONS.

- W101 WHEEL TREAD - FRONT. Measured at centerline of tires, with nominal camber, at ground.
- W102 WHEEL TREAD - REAR. Measured at centerline of tires at ground.
- W103 MAXIMUM OVERALL CAR WIDTH. Include bumpers, moldings, or sheet metal protrusions. Measured to outside of metal.
- W117 MAXIMUM BODY WIDTH AT #2 PILLAR. Measured across body at #2 pillar, excluding hardware and applied moldings.
- W120 MAXIMUM OVERALL CAR WIDTH, FRONT DOORS OPEN is measured to outside of sheet metal with front doors in maximum hold-open position.
- W121 MAXIMUM OVERALL CAR WIDTH, REAR DOORS OPEN is measured in same manner as W120.

LENGTH DIMENSIONS.

- L30 VERTICAL ZERO LINE TO ACTUAL FRONT OF DASH. If actual Front of Dash is to the rear of Body Zero Line, it is identified by a minus (-) sign.
- L101 WHEELBASE.
- L103 OVERALL LENGTH. Include bumper guards if standard equipment.
- L104 OVERHANG - FRONT. Measured from C/L of front wheels to front of car, including bumper guards if standard equipment.
- L105 OVERHANG - REAR. Measured from C/L of rear wheels to rear of car, including bumper guards if standard equipment.
- L123 BODY UPPER STRUCTURE LENGTH AT CAR CENTERLINE. The horizontal dimension from the Cowl Point to the Deck Point.
- L127 VERTICAL ZERO LINE TO CENTERLINE OF REAR WHEELS. A horizontal dimension.
- L130 VERTICAL ZERO LINE TO WINDSHIELD COWL POINT. The horizontal dimension from the vertical zero line to the theoretical intersection of extended windshield glass plane and normal cowl surface.

HEIGHT DIMENSIONS

- H101 OVERALL HEIGHT - DESIGN. Measured with the vehicle in Manufacturer's Design Weight attitude.
- H114 COWL POINT TO GROUND. Measured at vehicle centerline.
- H151 DECK POINT TO GROUND. Measured at vehicle centerline.
- H112 ROCKER PANEL TO GROUND - FRONT. The vertical dimension from ground to bottom of rocker panel, excluding flanges. Measured to the outside of sheet metal at foremost point of rocker panel.

H133 BOTTOM OF DOOR TO GROUND, CLOSED - FRONT is the same point on the door as H132 dimension, with door closed.

H111 ROCKER PANEL TO GROUND - REAR. The vertical dimension from ground to bottom of rocker panel, excluding flanges. Measured to the outside of sheet metal at front of rear wheel opening.

H135 BOTTOM OF DOOR TO GROUND, CLOSED - REAR is measured in same manner as H133.

H122 WINDSHIELD SLOPE ANGLE. The angle between a vertical line and the windshield surface at car centerline. On compound-curved windshields the chord of the arc is used and limited to that section of the windshield comprehended by an 18-inch chord.

H125 HEADLAMP CENTERLINE TO GROUND is measured vertically to the center of the upper lamp.

H126 TAILLAMP CENTERLINE is measured vertically from ground to the centerline of the upper bulb.

GROUND CLEARANCE DIMENSIONS

- H102 BUMPER TO GROUND - FRONT. Minimum dimension, includes bumper guards.
- H104 BUMPER TO GROUND - REAR. Minimum dimension, includes bumper guards.
- H106 ANGLE OF APPROACH. The angle between ground and a line tangent to the front tire static loaded radius arc and the first point of interference, i.e., bumper, guard, gravel deflector, fender or other component, excluding license plate. This dimension may be determined graphically for reporting purposes.
- H107 ANGLE OF DEPARTURE. The angle between ground and a line tangent to the rear tire static loaded radius arc and the first point of interference, i.e., bumper, guard, gravel deflector, tail pipe, fender or other component, excluding license plate. This dimension may be determined graphically for reporting purposes.
- H147 RAMP BREAKOVER ANGLE. The supplement of included ramp angle (180° minus included ramp angle) over which car can pass without interference; measured with car sitting on a level surface, using lines tangent to arcs of front and rear static loaded radii and intersecting at point on underside of car which defines the smallest angle.
- H153 REAR AXLE DIFFERENTIAL SYSTEM TO GROUND is a minimum clearance.
- H156 MINIMUM RUNNING GROUND CLEARANCE. Location of measurement on the car is to be clearly recorded.